



FT 243/5

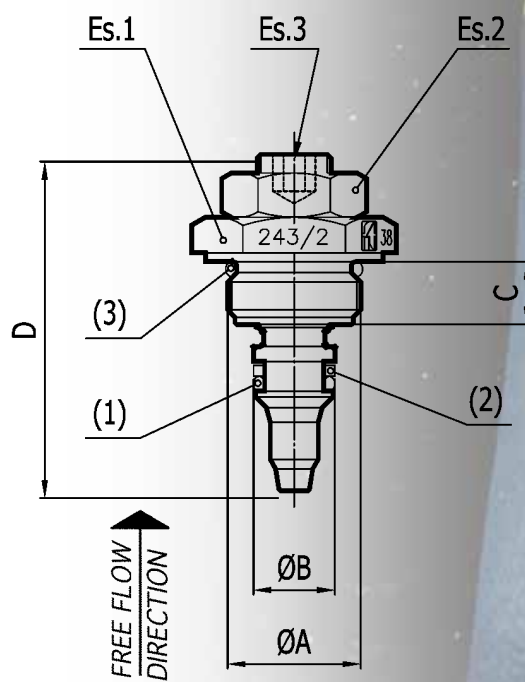
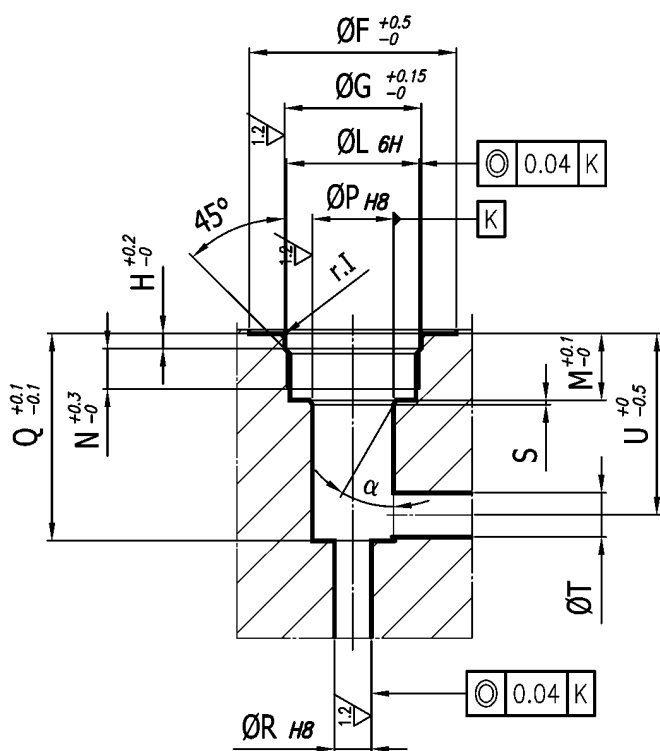


MATERIALS

BODY	ETG 100
NEEDLE	35SMNP810 - AISI 303
OR	NITRILE
NUT	35SMNP810
BK	PTFE

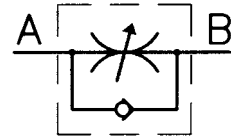
EXAMPLE FOR ORDERING

	CODE	TYPE	VITON SEAL
STEEL	FT 243/5	34	V
STAINLESS STEEL	FT 2243/5	34	-



DIMENSIONS

TYPE	ØA	ØB	C	D	Es.1	Es.2	Es.3	(1) OR	(2) BK	(3) OR	ØF	ØG
14	M17x1	10	8.5	44.5	22	17	4	106	106	2056	26	17.5
38	M18x1	11	8.5	45.5	24	17	5	2031	2031	2062	28	18.5
12	M22x1.5	14	13.5	66.5	27	19	7	2043	2043	2075	33	22.5
34	M27x1.5	18	18	82	32	22	9	2056	2056	3093	35	28



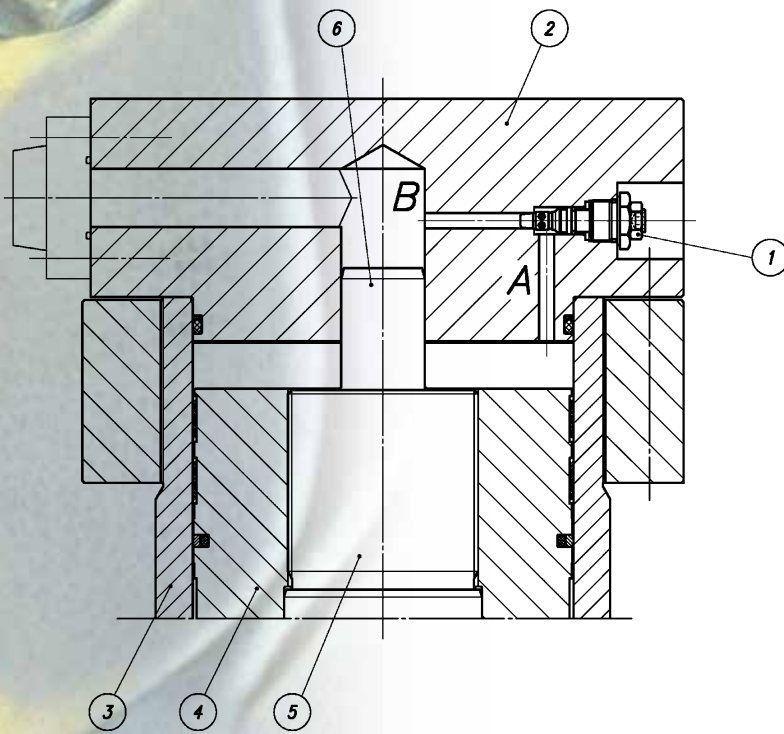
SINGLE-ACTING BRAKING VALVES

They are composed of a needle throttling, inside which there is a ball single-acting valve. They can be used in the assembling in manifolds and integrated blocks and are also used as cylinder braking valves.

Recommended filtration: 60 micron or inferior.
Max. working pressure: 300 bar



FT 243/5



DESCRIPTION

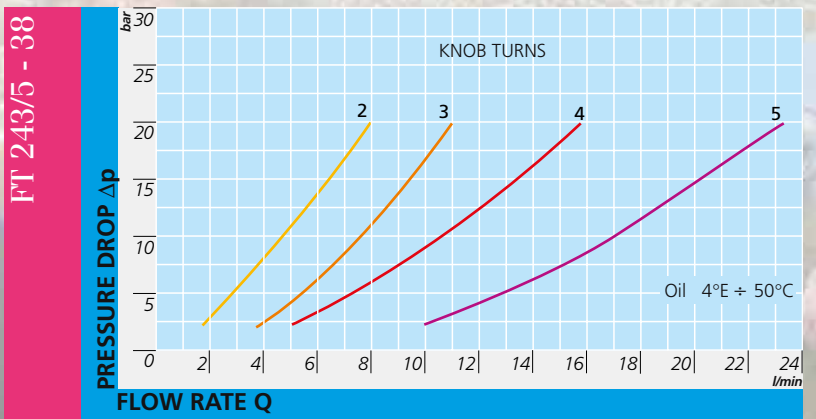
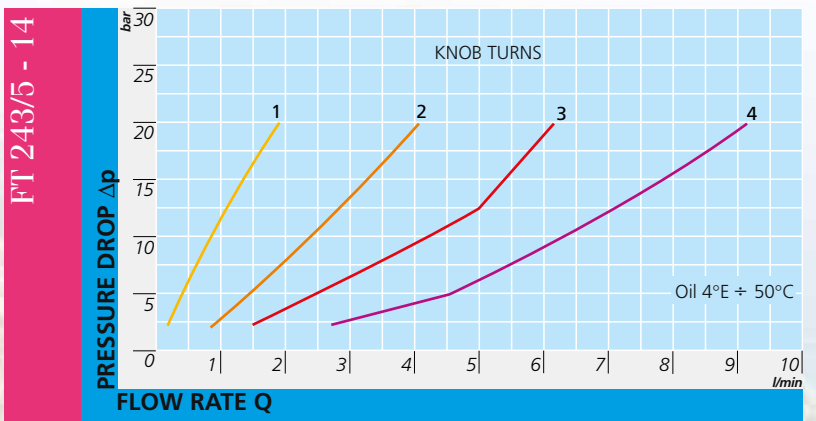
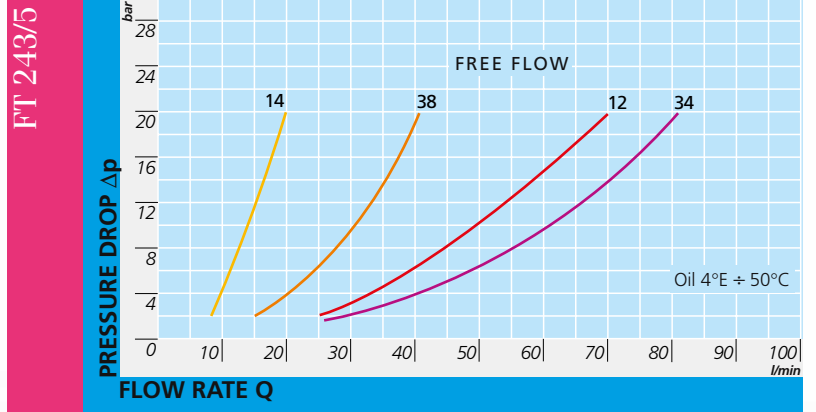
	DESCRIPTION
1	VALVE FT 243/5
2	CYLINDER HEAD
3	BARREL
4	PISTON
5	STEM
6	PINK OF BRAKE

DIMENSIONS

TYPE	H	ØL	M	N	ØP	Q	ØR	S	ØT	U	R.I	α°
14	2	M17x1	9	5.5	10	28	4	0.6	4.5	25	0.3	30°
38	2	M18x1	9	5	11	28	5	0.6	6	24.5	0.3	30°
12	2.5	M22x1.5	15	10	14	40.5	8	1	8	36	0.3	20°
34	3.5	M27x1.5	21	15	18	54.5	10	1.5	10	48.5	0.5	20°

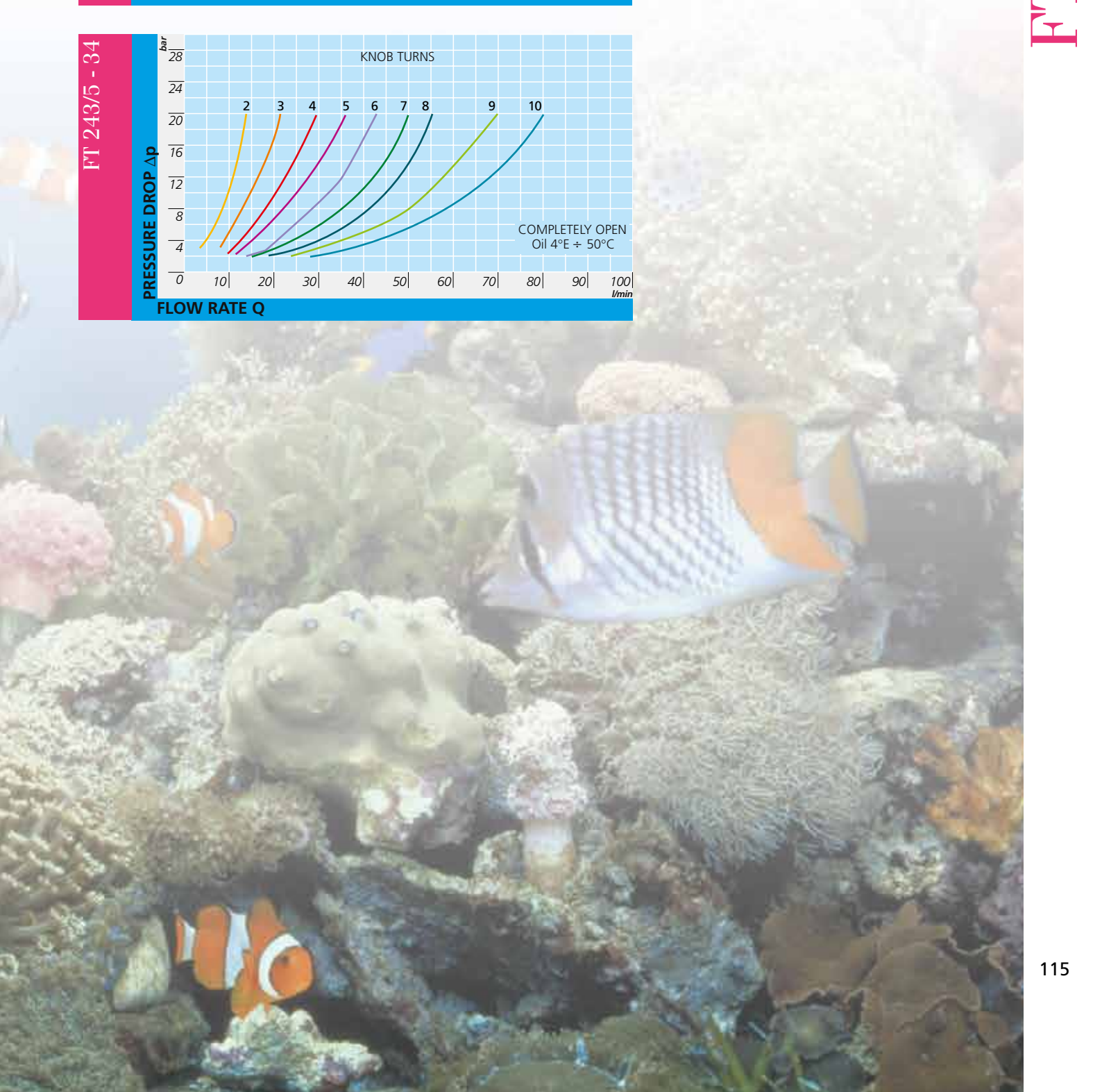
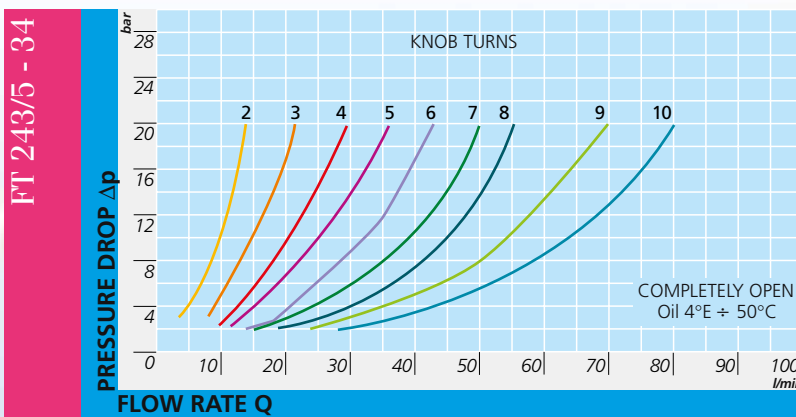
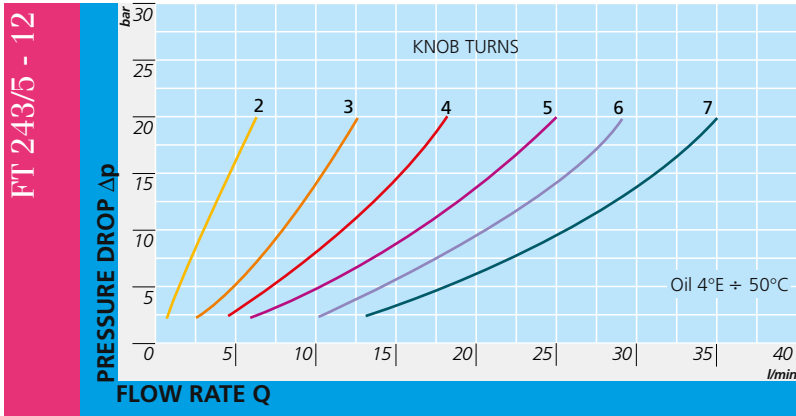


FT 243/5





FT 243/5





FT 243/5 - S

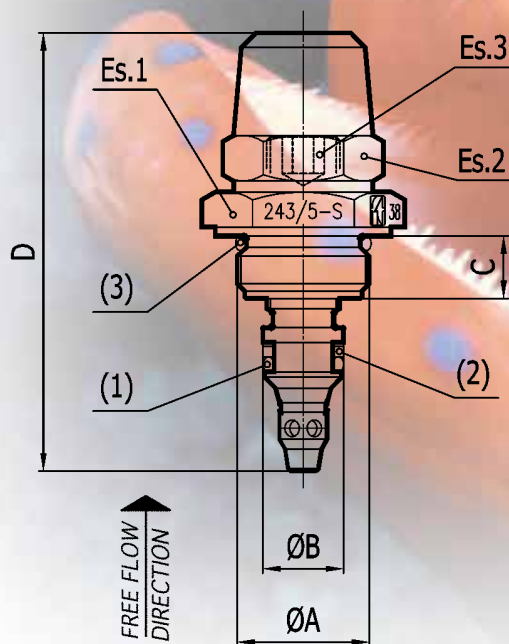
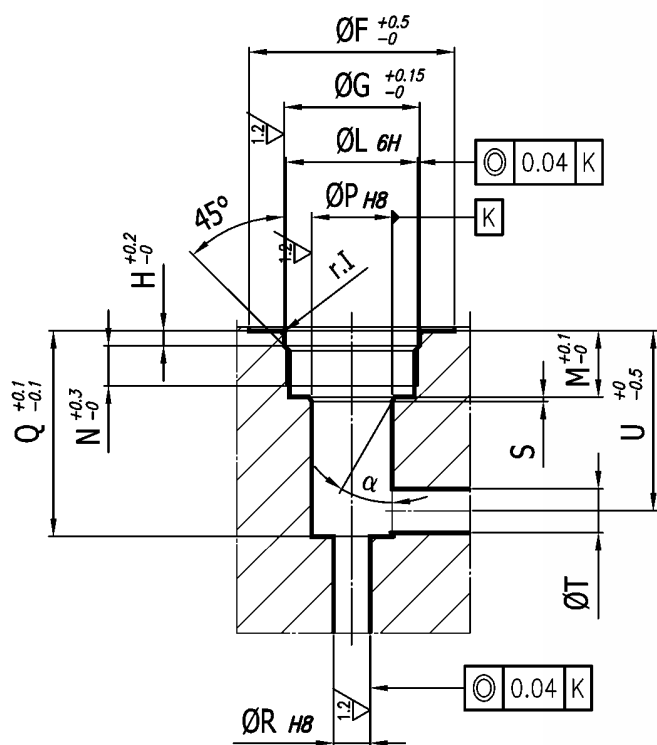


MATERIALS

BODY	ETG 100
NEEDLE	35SMNP810 - AISI 303
OR	NITRILE
NUT	35SMNP810
BK	PTFE

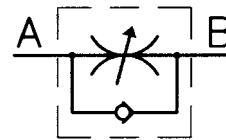
EXAMPLE FOR ORDERING

	CODE	TYPE	VITON SEAL
STEEL	FT 243/5-S	34	V
STAINLESS STEEL	FT 2243/5-S	34	-



DIMENSIONS

TYPE	A	$\varnothing B$	C	D	Es.1	Es.2	Es.3	(1) OR	(2) BK	(3) OR	$\varnothing F$	$\varnothing G$	H
14	M17x1	10	8.5	59	22	17	4	106	106	2056	26	17.5	2
38	M18x1	11	8.5	59	24	19	5	2031	2031	2062	28	18.5	2
12	M22x1.5	14	13.5	87	27	22	7	2043	2043	2075	33	22.5	2.5
34	M27x1.5	18	18	106	32	27	9	2056	2056	3093	35	28	3.5



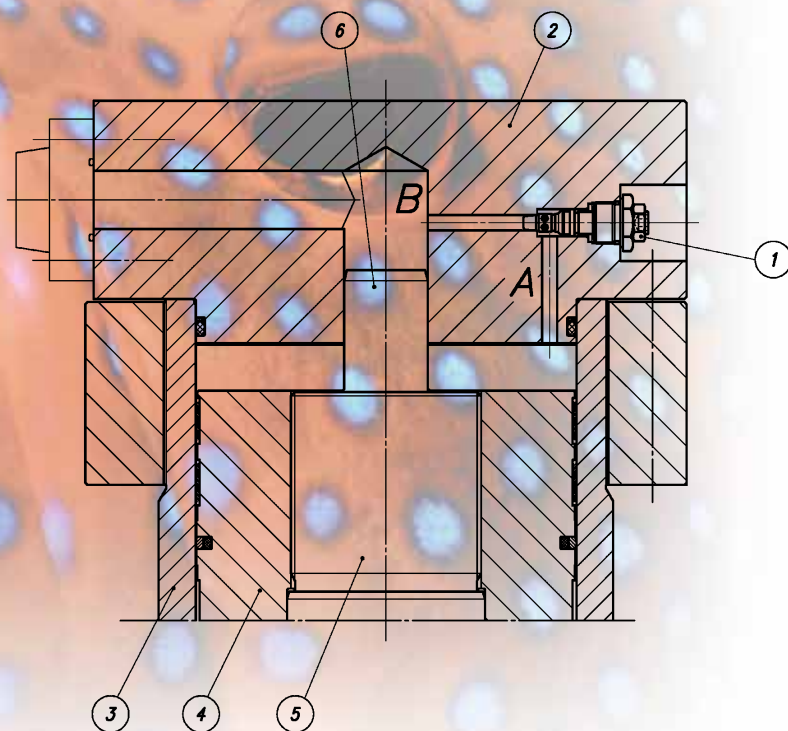
SINGLE-ACTING BRAKING VALVES BLEED-AIR

They are composed of a needle throttling, inside which there is a ball single-acting valve. They can be used in the assembling in manifolds and integrated blocks and are also used as cylinder braking valves. This kind of valve can be used also as air breather. By removing the cap nut it is possible to unscrew the needle and uncover the coaxial passage which allows the breather of the underlying chamber.

Recommended filtration: 60 micron or inferior.
Max. working pressure: 300 bar



FT 243/5-S



DESCRIPTION

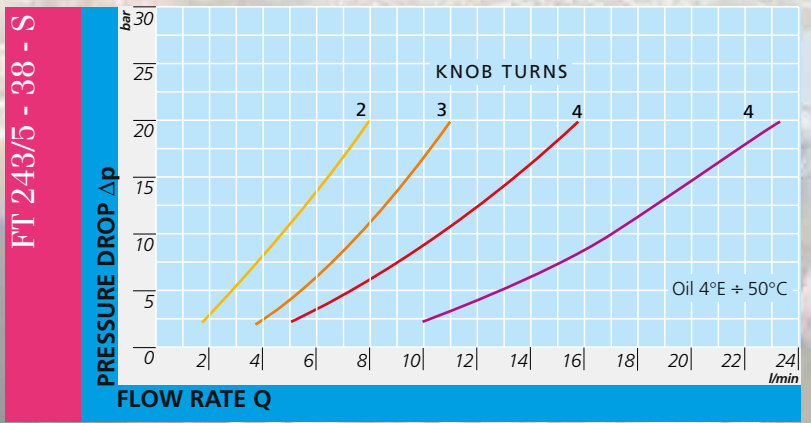
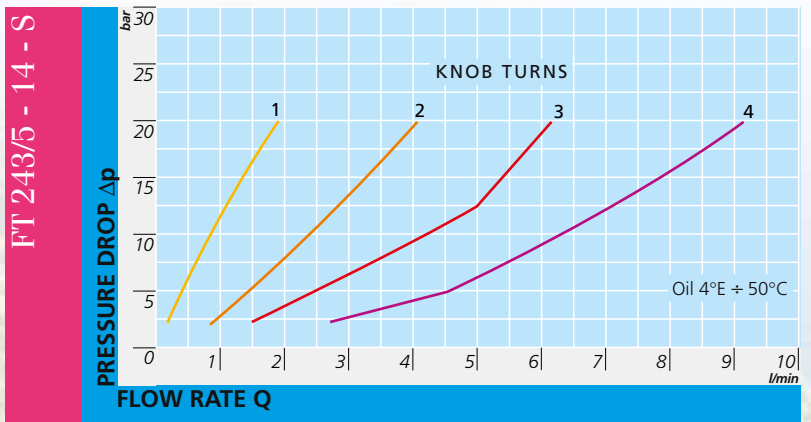
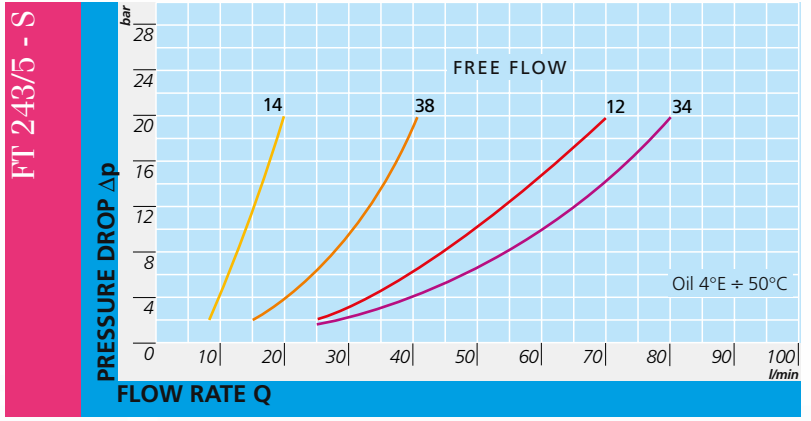
	DESCRIPTION
1	VALVE FT 243/5-S
2	CYLINDER HEAD
3	BARREL
4	PISTON
5	STEM
6	PINK OF BRAKE

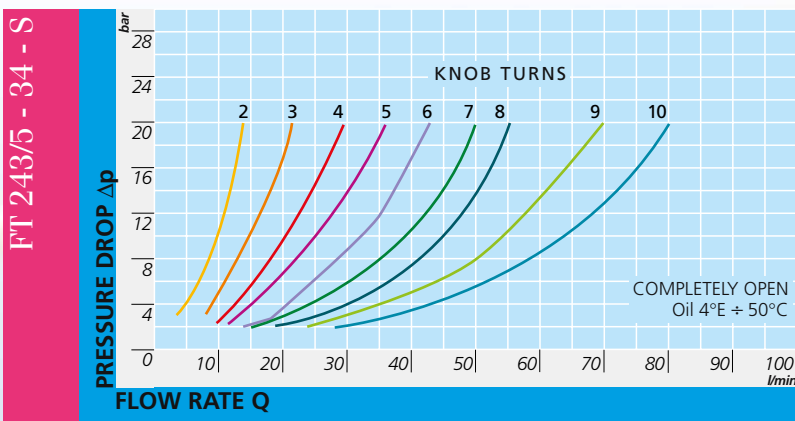
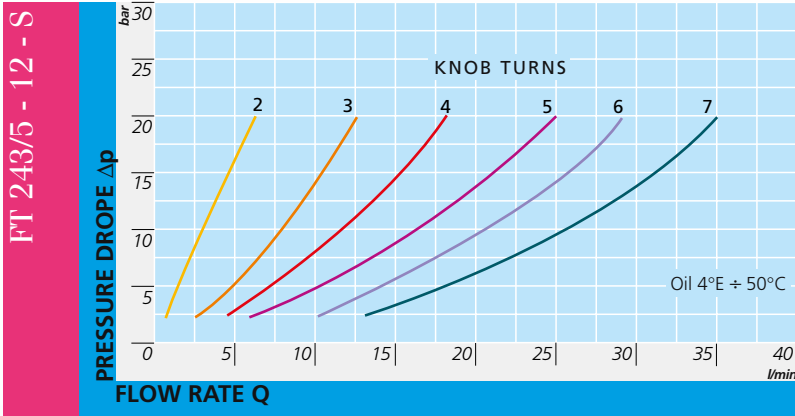
DIMENSIONS

TYPE	ØL	M	N	ØP	Q	ØR	S	ØT	U	R.I	α°
14	M17x1	9	5.5	10	28	4	0.6	4.5	25	0.3	30°
38	M18x1	9	5	11	28	5	0.6	6	24.5	0.3	30°
12	M22x1.5	15	10	14	40.5	8	1	8	36	0.3	20°
34	M27x1.5	21	15	18	54.5	10	1.5	10	48.5	0.5	20°

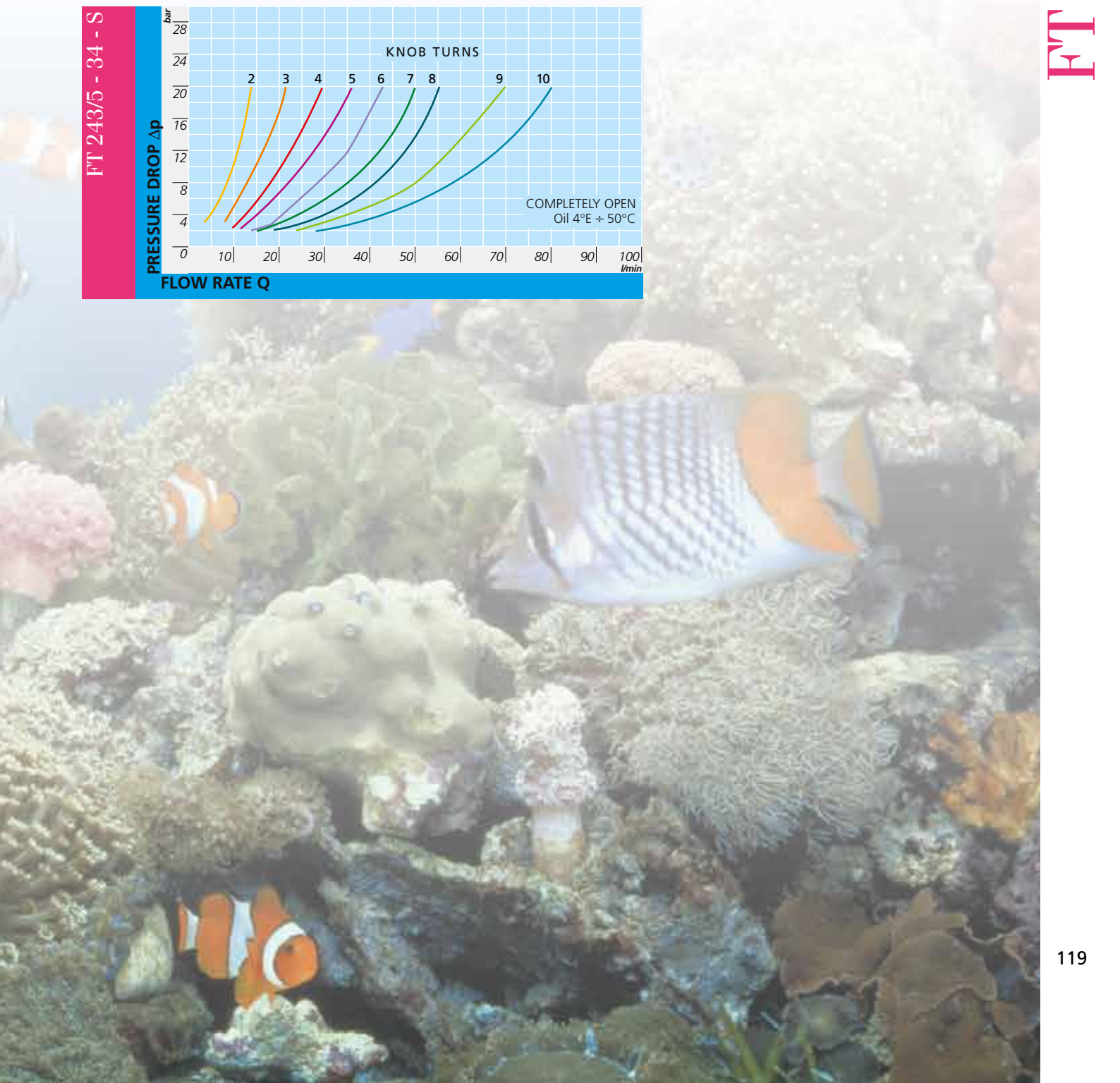


FT 243/5-S



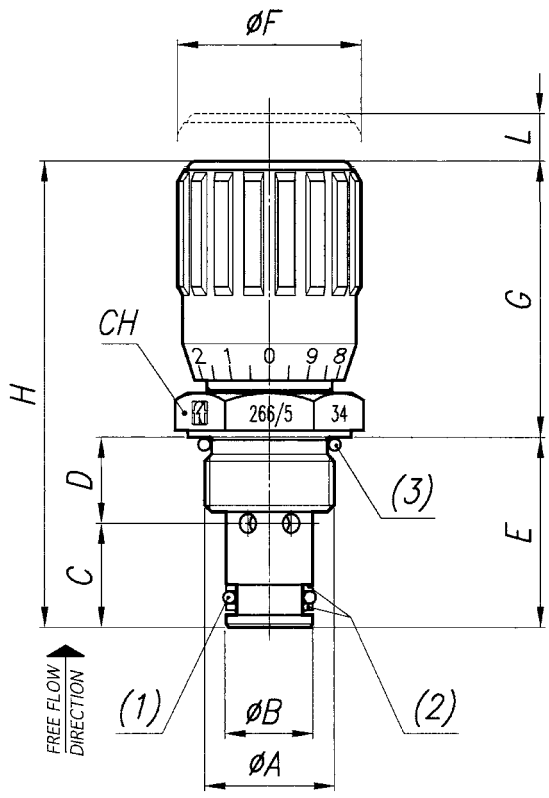


FT 243/5-S





FT 266/5 - UNF



MATERIALS

BODY	11 S MN PB 30 - UNI EN 10087
NEEDLE	38 NI CR MO 4 - UNI - EN 10083
OR	NITRILE
ANTIEXTRUSION RING	PTFE
CHECK VALVE	38 NI CR MO 4 - UNI - EN 10083
SPRING	C85 - UNI EN 10089
KNOB	GD AL SI 12 - UNI EN AB 46100
KNOB (MP)	ABS

EXAMPLE FOR ORDERING

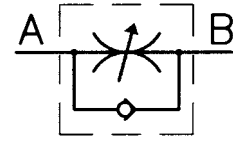
	CODE	TYPE	VITON SEAL	KNOB IN PLASTIC
STEEL	FT 266/5	34	V	MP
STAINLESS STEEL	FT 2266/5	34	-	MP

SEAL KIT ON THE SEATING

TYPE	1 (OR)	2 (BK)	(3)
34	2037	266/6.022.00.1-34	2068
78	2050	267/2.022.00.1-38	3075

DIMENSIONS

TYPE	ØA UNI 4534	ØB	C	D	E	ØF	G	H	L	CH	WEIGHT KG
34	3/4"-16 UNF	12,7	15,3	12,7	28	27	40,7	68,7	6	24	0,112
78	7/8"-14 UNF	15,8	17,5	15	32,5	33	46	78,5	8	27	0,115



CARTRIDGE MOUNTED SINGLE-ACTING CONTROL VALVES MAX 350 BAR

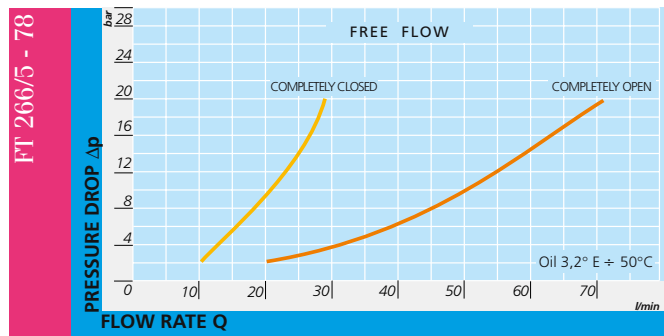
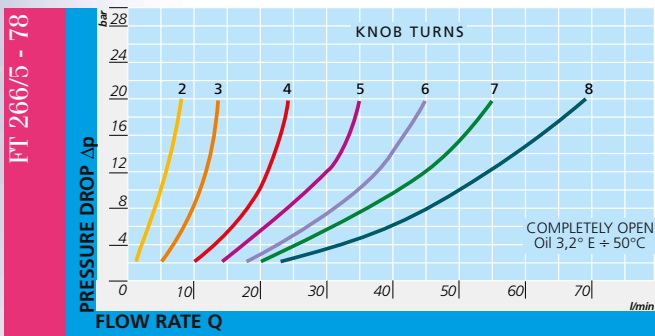
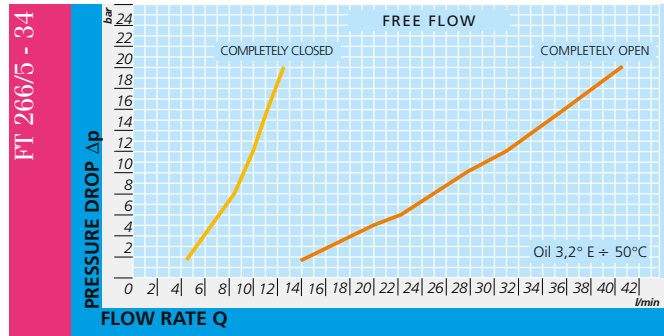
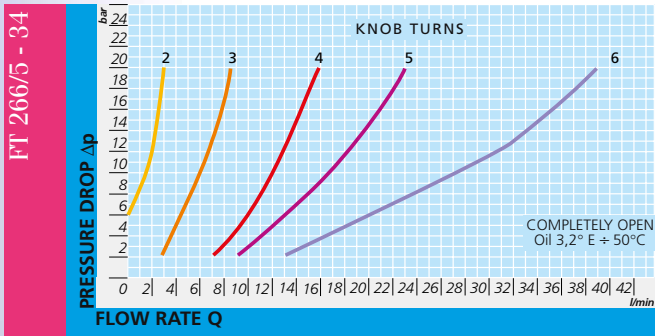
They control and eventually shut-off the flow in one direction, allowing a free return in the opposed direction.

On request

- Complete with Viton seals (V)
- Knob in ABS (mp)
- AISI 316 Stainless steel version FT 2266/5



FT 266/5-UNF



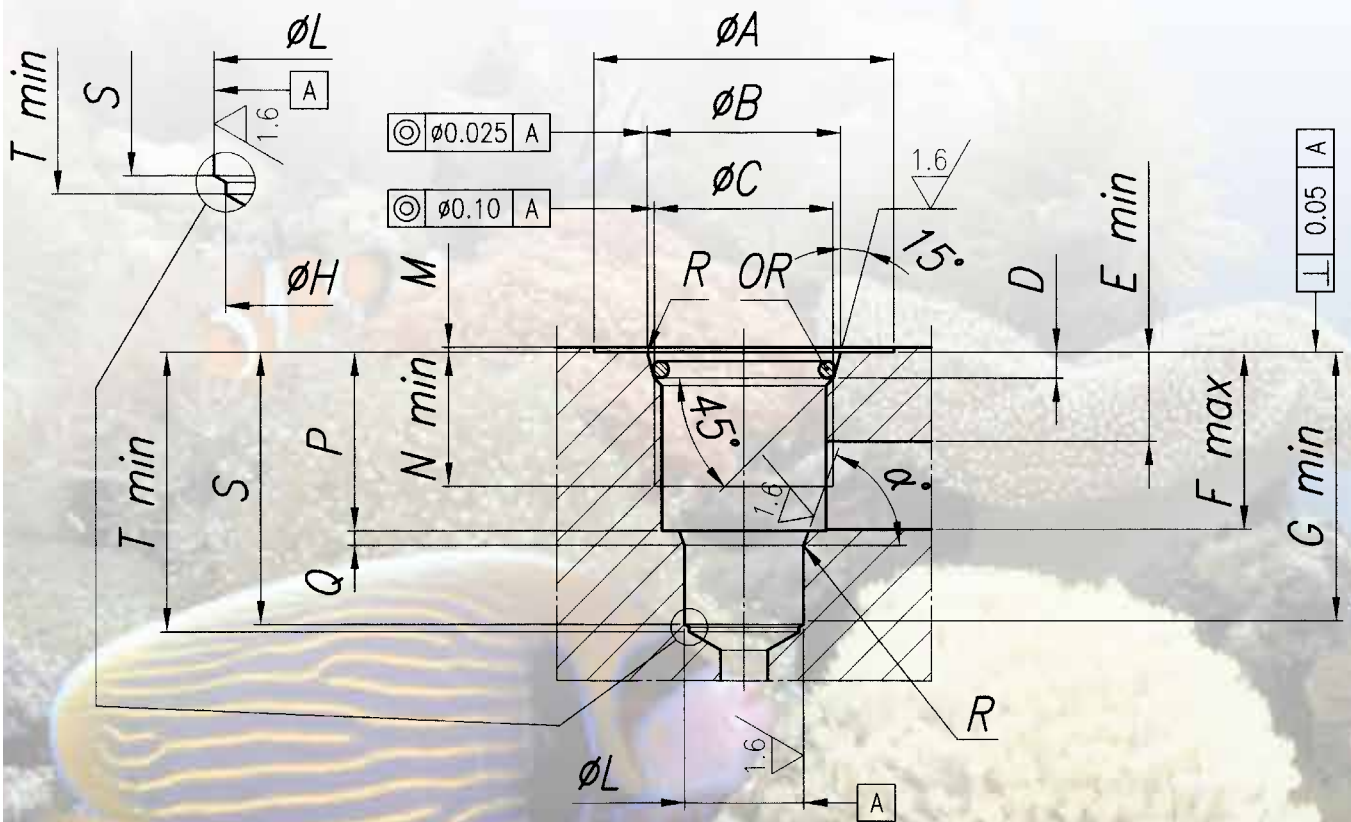
TECHNICAL DATA

TYPE	FLOW SECTION CM ²	MAX. WORKING PRESSURE BAR	MIN. BURSTING PRESSURE BAR	WORKING TEMPERATURE °C	FILTRATION GRADE μm ABSOLUTE
34	0,20	320	1300	-20°/+100°	25
78	0,50	320	1300	-20°/+100°	25



Sealing realized
with OR seals
on conical seating
for UNF threads

FT 265/2 - FT 266/2 FT 266/5 - FT 266/6 - FT 268/2



DRAWING OF CAVITY MACHINE FOR CARTRIDGE MOUNTED VALVES

CONICAL SEATING FOR OR FT 265/2 - FT 266/2 FT 266/5 - FT266/6 - 268/2

TYPE	ØA	ØB	C UNI 4534	D	E	F	G	ØH	ØL
34	32 \pm 0,4	20,65 \pm 0,1	3/4"-16UNF-2B	2,75	9,5	18,9	28,6	11,7	12,7 $^{+0,05}_{-0}$
78	32 \pm 0,4	24 \pm 0,1	7/8"-14UNF-2B	2,75	12,35	24,25	31,85	15	15,875 $^{+0,05}_{-0}$

CONICAL SEATING FOR OR FT 265/2 - FT 266/2 FT 266/5 - FT266/6 - 268/2

TYPE	M	N	P	Q	R	S	T	α°	OR
34	0,5	14,3	19,05 \pm 0,13	1,53 \pm 0,08	0,1 $^{+0,15}_{-0}$	29 \pm 0,4	29,8	70°	2068
78	0,5	15,75	24,45 \pm 0,1	1,4 \pm 0,1	0,1 $^{+0,15}_{-0}$	33,75 \pm 0,4	34,5	60°	3075



FT 267/5

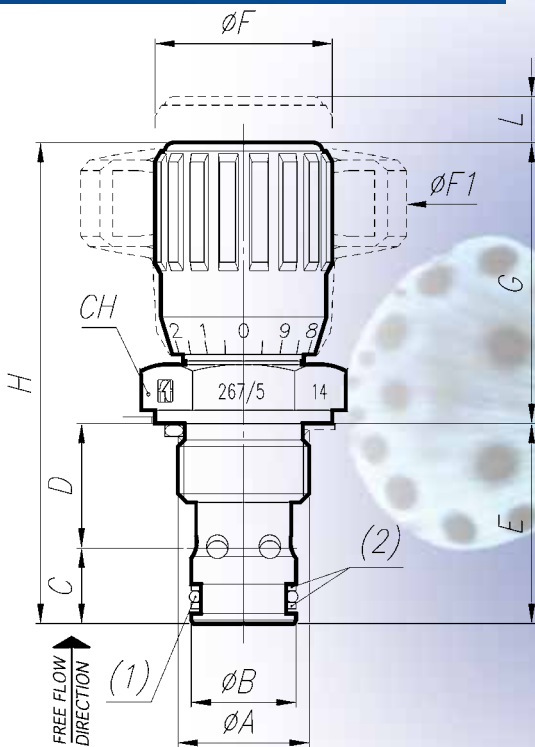


MATERIALS

BODY	11 S MN PB 30 - UNI EN 10087
NEEDLE	38 NI CR MO4 - UNI EN 10083
OR	NITRILE
ANTIEXTRUSION RINGS	PTFE
CHECK VALVE	38 NI CR MO4 - UNI EN 10083
SPRING	C85 - UNI EN 10089
KNOB	GD AL SI 12 - UNI EN AB 46100
KNOB (MP)	ABS

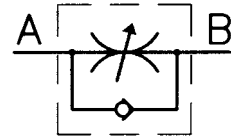
EXAMPLE FOR ORDERING

	CODE	TYPE	VITON SEAL	PLASTIC KNOB
STEEL	FT 267/5	38	V	MP
STAINLESS STEEL	FT 2267/5	12	-	MP



DIMENSIONS

TYPE	ϕA UNI 4534	ϕB	C	D	E	ϕF	$\phi F1$	G	H	L	CH	WEIGHT KG
14	M20x1,5	16	11,5	19	30,5	27	50	43	73,5	4	27	0,130
38	M27x2	19	14	26	40	33	49	52,5	92,5	6	32	0,250
12	M33x2	27	17	27,5	44,5	38	60	60	104,5	7	41	0,340
34	M42x2	35	19,5	33	52,5	47	70	69,5	122	8	50	0,620
100	M52x2	45	22,5	42	64,5	58	120	85	149,5	12	60	1,632



CARTRIDGE MOUNTED SINGLE-ACTING CONTROL VALVES

They control and, in case, shut-off the flow in one direction and allow the full free flow in the opposite direction.

- Check valve calibrated at 0,35 bar

On request

- Version in AISI 316 code FT 2267/5
- Complete with Viton seals (V)
- Knob in ABS (mp)
- Lobes aluminium die-cast handwheel (RA)



FT 267/5

TECHNICAL DATA

TYPE	TYPE FLOW SECTION CM ²	MAX. WORKING PRESSURE BAR	MIN. BURSTING PRESSURE BAR	WORKING TEMPERATURE °C	FILTRATION GRADE μM ABSOLUTE
14	0,07	320	1300	-20°/+100°	25
38	0,15	320	1300	-20°/+100°	25
12	0,37	320	1300	-20°/+100°	25
34	1,56	320	1300	-20°/+100°	25
100	3,80	320	1300	-20°/+100°	25

SEAL KIT ON THE NEEDLE

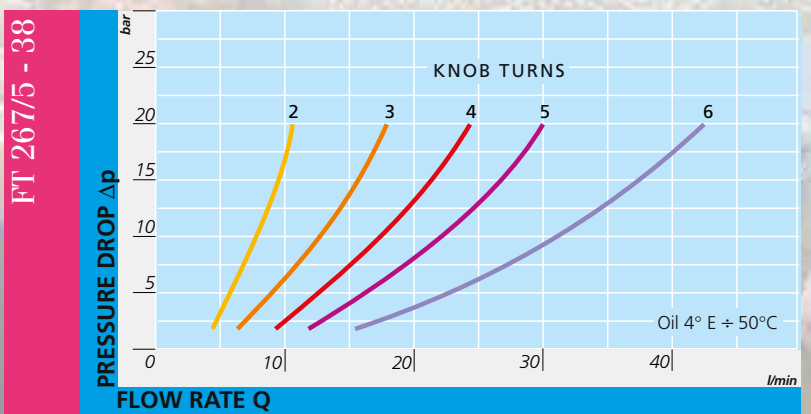
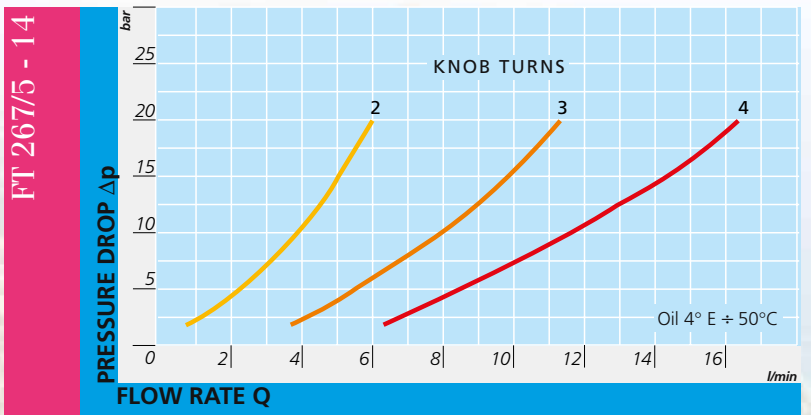
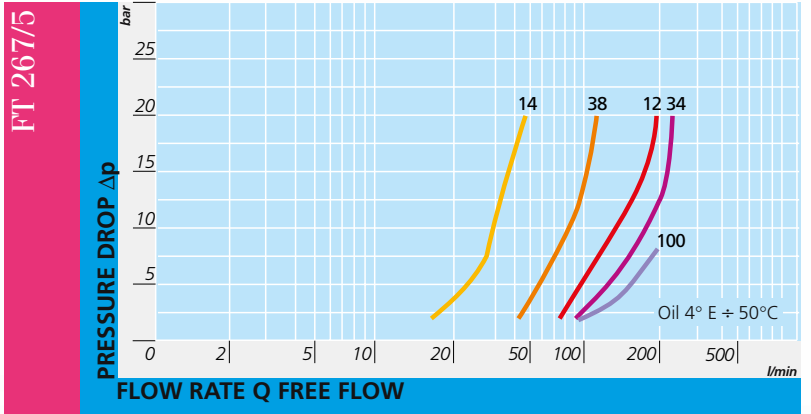
TYPE	OR	ANTIEXTRUSION RINGS
14	2021	200-801
38	2018	2018
12	106	106
34	108	108
100	112	112

SEAL KIT ON THE SEATING

TYPE	1 (OR)	(2) BK SPECIAL
14	2050	267/2.022.00.1-38
38	2062	267/2.022.00.1-12
12	130	267/2.022.00.1-34
34	3118	267/5.022.00.1-34
100	3156	3156

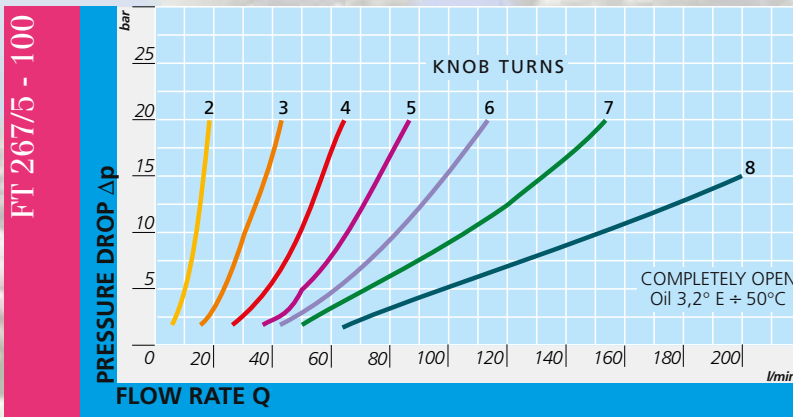
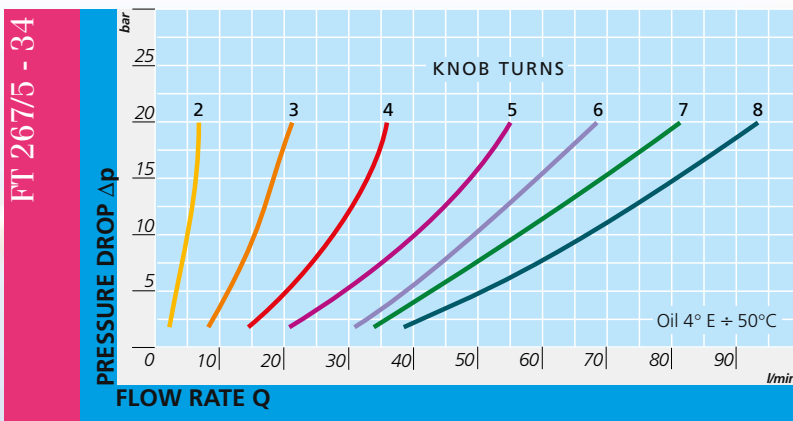
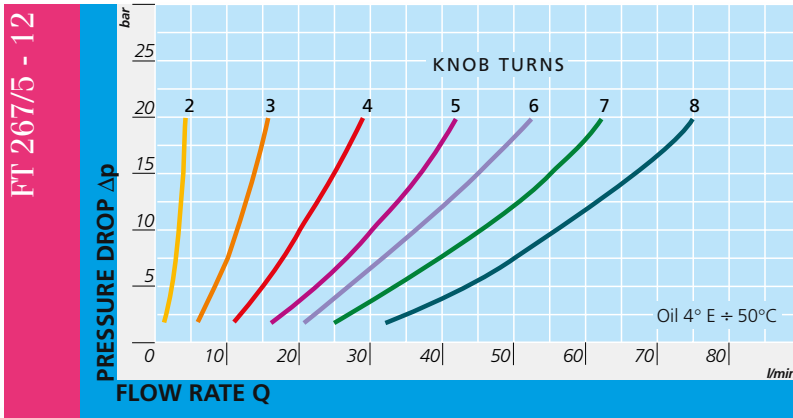


FT 267/5





FT 267/5



SEATING MACHINING DRAWINGS FOR THREADED CARTRIDGE MOUNTED VALVES



FT 247/2 - FT 267/2 - FT 267/5

FLAT SEATING FOR OR - FT 247/2 - 267/2

TYPE	ØA	ØB	C	D UNI 4534	E	E1	F	ØG	H	ØL	M	SM	OR
18	23	19	2	M15x1	14	13	11	12	21,5	4	11,5	0,5	3056
14	28	24	2	M20x1,5	17,5	16,5	13,5	14	28,5	5	14,5	1	3075
38	28	24	2	M20x1,5	21	20,5	13,5	16	33,5	8	16,2	1,2	3075
12	34	30	2	M27x2	30	28,5	20	19	43	10	24	1,2	3100
34	43	36	2	M33x2	32,5	32	20	27	47,5	13	25	1,2	3125
100	60	45	2	M42x2	38,5	37	23,5	35	57	16	30,5	1,5	3162

FLAT SEATING FOR OR - FT 267/5

TYPE	ØA	ØB	C	D UNI 4534	E	E1	F	ØG	H	ØL	M	SM	OR
14	28	24	2	M20x1,5	21	20,5	13,5	16	33,5	8	16,2	1	3075
38	34	30	2	M27x2	30	28,5	20	19	43	10	24	1,2	3100
12	43	36	2	M33x2	32,5	32	20	27	47,5	12	25,5	1,2	3125
34	60	45	2	M42x2	38,5	37	23,5	35	57	16	30,5	1,5	3162
100	61	55	2,2	M52x2	46	45	27	45	67,5	20	34,5	1,5	3200

SEATING MACHINING DRAWINGS FOR THREADED CARTRIDGE MOUNTED VALVES



FT 247/2 - FT 267/2 - FT 267/5

SEATING FOR BONDED SEAL - FT 247/2 - 267/2

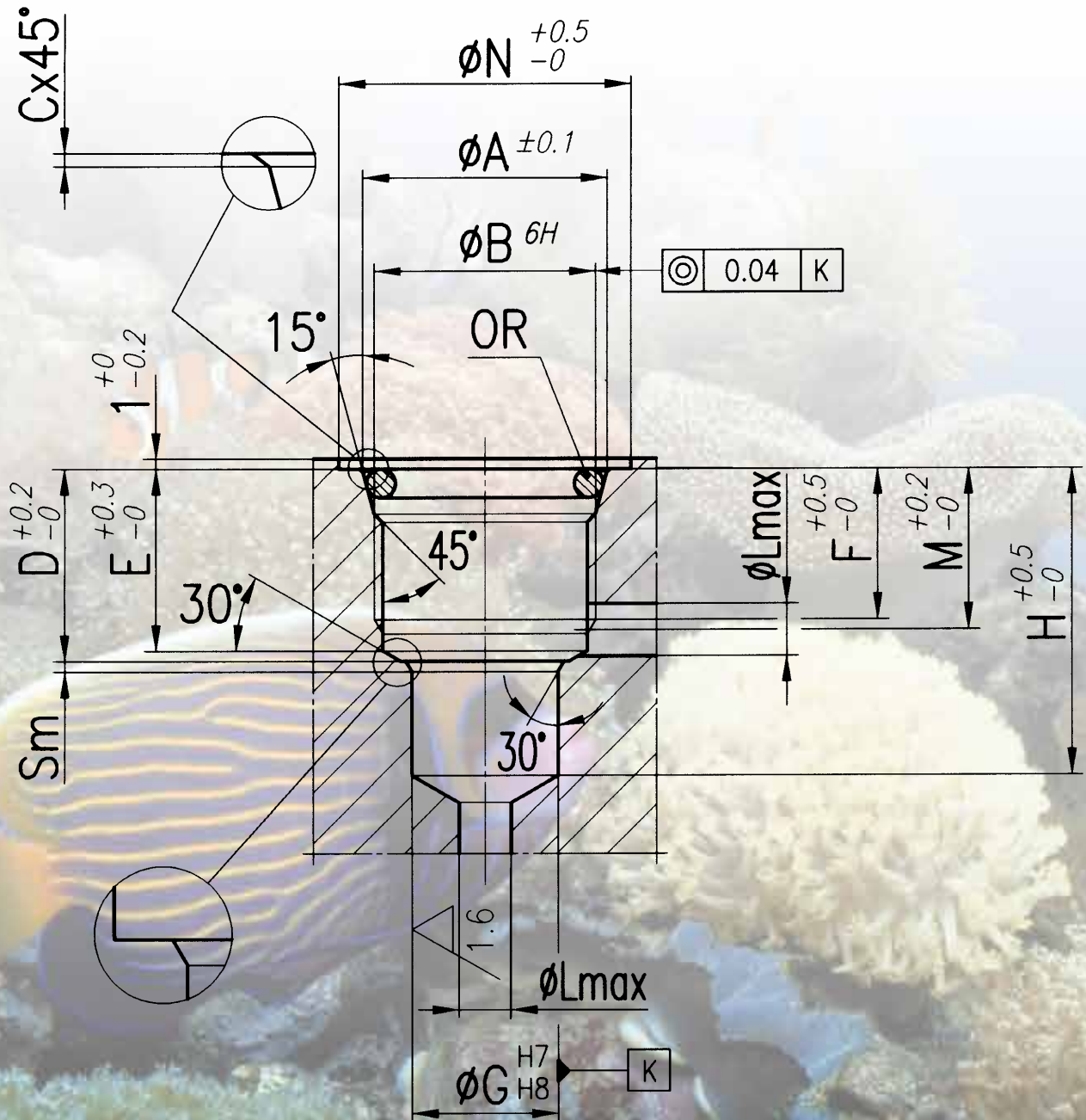
TYPE	ØA	C	D UNI 4534	E	E1	F	ØG	H	ØL	M	SM	BONDED SEAL
18	23	1	M15x1	13	12	9	12	20	4	10,3	0,5	400-512
14	27	1	M20x1,5	16,5	15,5	12	14	27	5	13,3	1	400-513
38	27	1	M20x1,5	20	19,5	12	16	32	8	15,2	1,2	400-513
12	33	1,3	M27x2	28	26,5	18	19	41	10	22	1,2	400-520
34	40	1,3	M33x2	30,5	30	18	27	45,5	13	23	1,2	400-515
100	50	1,3	M42x2	36,5	35	21,5	35	55	16	28,5	1,5	400-516

SEATING FOR BONDED SEAL - FT 267/5

TYPE	ØA	C	D UNI 4534	E	E1	F	ØG	H	ØL	M	SM	BONDED SEAL
14	27	1	M20x1,5	20	19,5	12	16	32	8	15,2	1	400-513
38	33	1,3	M27x2	28	26,5	18	19	41	10	22	1,2	400-520
12	40	1,3	M33x2	30,5	30	18	27	45,5	12	23	1,2	400-515
34	50	1,3	M42x2	36,5	35	21,5	35	55	16	28,5	1,5	400-516



Sealing realized
with OR seals
on conical seating



Manufacturing detail possible in alternative to the conic seat removing the quote E

SEATING MACHINING DRAWINGS FOR THREADED CARTRIDGE MOUNTED VALVES



FT 247/2 - FT 267/2 - FT 267/5

CONICAL SEATING FOR OR - FT 247/2 - FT 267/2

TYPE	ØA	ØB UNI 4534	C	D	E	F	ØG	H	ØL	M	ØN	SM	OR
18	16,5	M15x1	0,25	14	13	11	12	21,5	4	11,5	23	0,5	2050
14	22,3	M20x1,5	0,25	17,5	16,5	13,5	14	28,5	5	14,5	28	1	3068
38	22,3	M20x1,5	0,25	21	20,5	13,5	16	33,5	8	16,2	28	1,2	3068
12	29,1	M27x2	0,3	30	28,5	20	19	43	10	24	34	1,2	132
34	36	M33x2	0,3	32,5	32	20	27	47,5	13	24	43	1,2	4112
100	45	M42x2	0,3	38,5	37	23,5	35	57	16	29	60	1,5	4150

CONICAL SEATING FOR OR - FT 267/5

TYPE	ØA	ØB UNI4534	C	D	E	F	ØG	H	ØL	M	ØN	SM	OR
14	22,3	M20x1,5	0,25	21	20,5	13,5	16	33,5	8	16,2	28	1,2	3068
38	29,1	M27x2	0,3	30	28,5	20	19	43	10	24	34	1,2	132
12	36	M33x2	0,3	32,5	32	20	27	47,5	13	25	43	1,2	4112
34	45	M42x2	0,3	38,5	37	23,5	35	57	16	29	60	1,5	4150
100	55	M52x2	0,3	46	45	27	45	67,5	20	34,5	61	1,5	4187

FT2243/5



SINGLE-ACTING BREAKING VALVES



They are composed of a needle throttling, inside which there is a ball single-acting valve. They can be used in the assembling in manifolds and integrated blocks and are also used as cylinder braking valves.

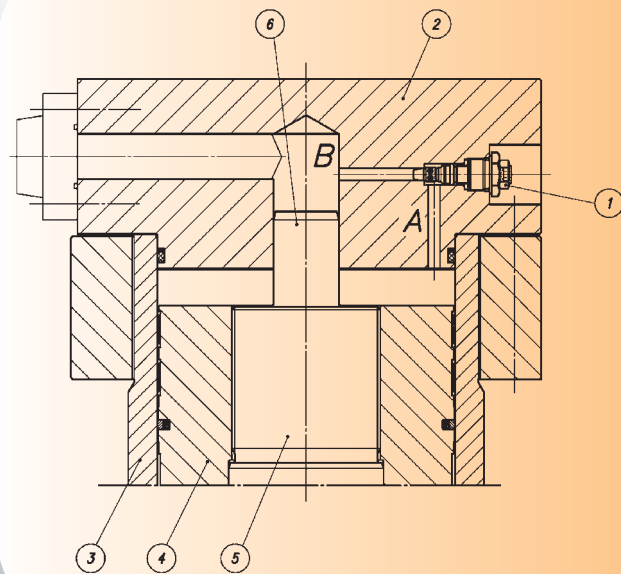
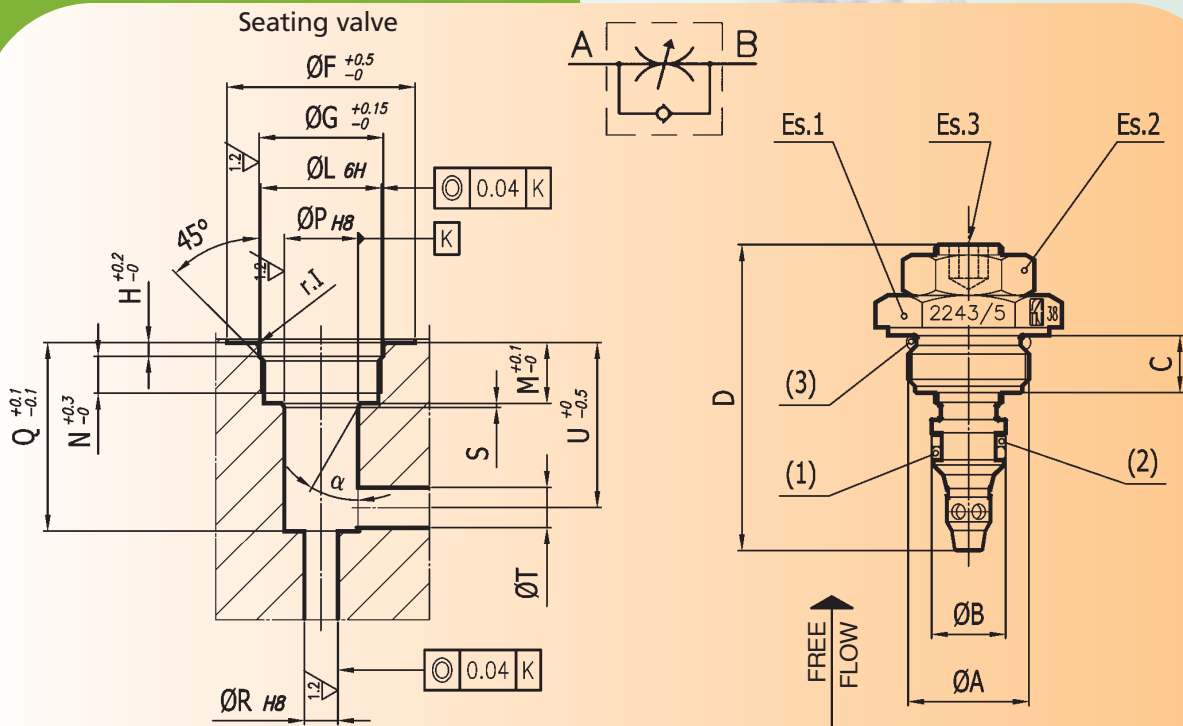
Recommended filtration: 60 micron or inferior.
Max. working pressure: 300 bar

dimensions valves

Type	ØA	ØB	C	D	Es.1	Es.2	Es.3	(1)0R	(2)BK	(3)0R	ØF	ØG
14	M17x1	10	8,5	44,5	22	17	4	106	106	2056	26	17,5
38	M18x1	11	8,5	45,5	24	17	5	2031	2031	2062	28	18,5
12	M22x1,5	14	13,5	66,5	27	19	7	2043	2043	2075	33	22,5
34	M27x1,5	18	18	82	32	22	9	2056	2056	3093	35	28

materiali

Body	AISI 316 stainless steel
Needle	X 10CrNiS1809-UNI 6900
OR	Viton
Nut	AISI 316
BK	PTFE



description

1	Valve FT 2243/5
2	Cylinder head
3	Barrel
4	Pistons
5	Stem
6	Pink of brake

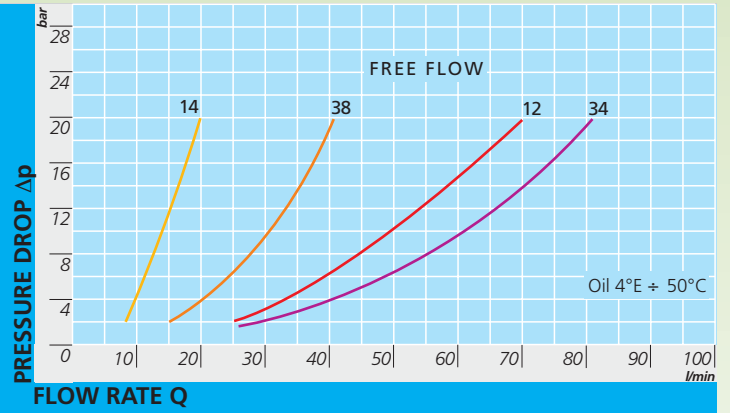
dimension seating valve

Type	H	ØL	M	N	ØP	Q	ØR	S	ØT	U	r.l	α°
14	2	M17x1	9	5.5	10	28	4	0.6	4.5	25	0.3	30°
38	2	M18x1	9	5	11	28	5	0.6	6	24.5	0.3	30°
12	2.5	M22x1.5	15	10	14	40.5	8	1	8	36	0.3	20°
34	3.5	M27x1.5	21	15	18	54.5	10	1.5	10	48.5	0.5	20°

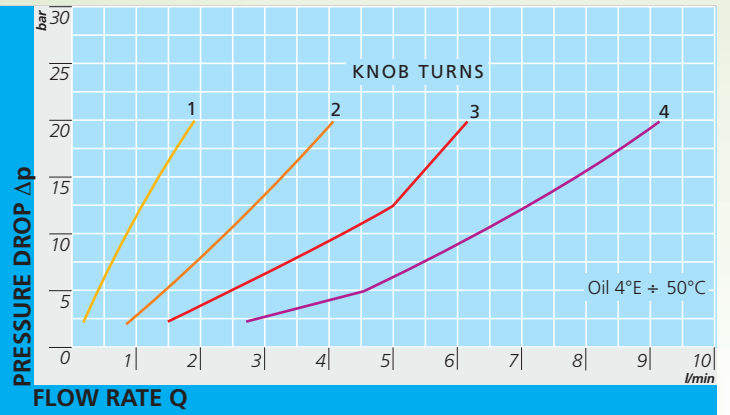
flowrate



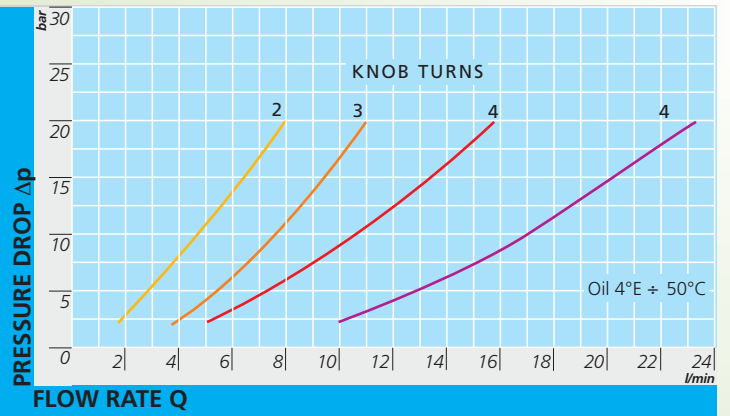
FT 2243/5



FT 2243/5 - 14

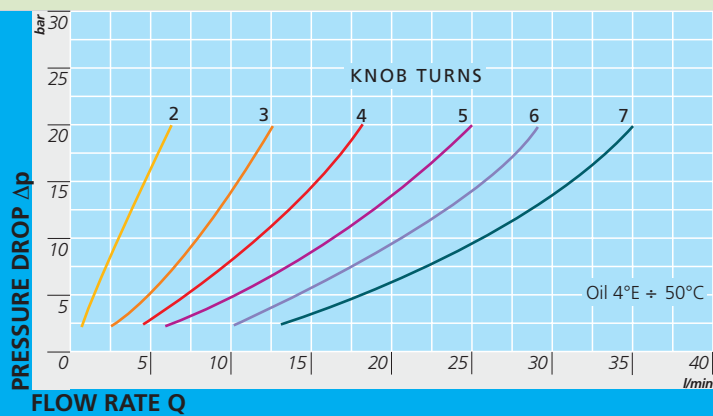


FT 2243/5 - 38

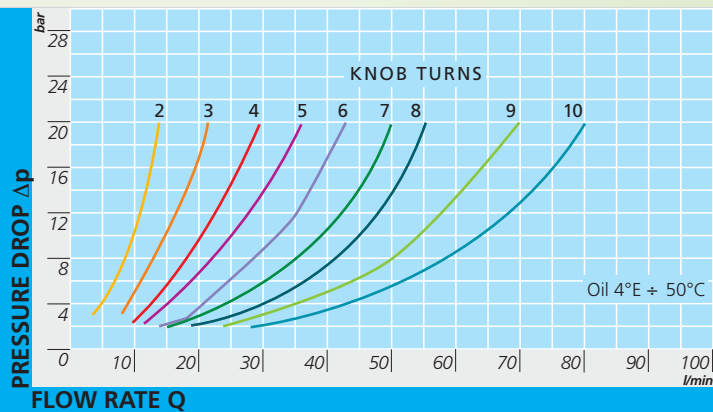


curves

FT 2243/5 - 12



FT 2243/5 - 34





CARTRIDGE MOUNTED SINGLE-ACTING CONTROL VALVES

They control and, in case, shut-off the flow in one direction and allow the full free flow in the opposite direction.

- Check valve calibrated at 0,35 bar

On request

- Knob in ABS (mp)

dimensions

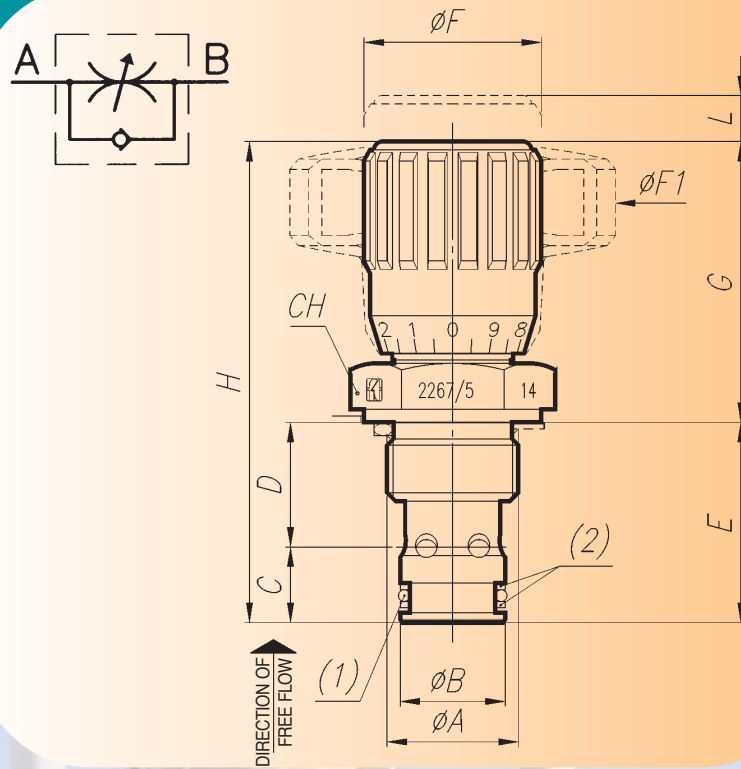
Type	ØA UNI 4534	ØB	C	D	E	ØF	ØF1	G	H	L	CH	Weight kg
14	M20x1,5	16	11,5	19	30,5	27	50	43	73,5	4	27	0,130
38	M27x2	19	14	26	40	33	49	52,5	92,5	6	32	0,250
12	M33x2	27	17	27,5	44,5	38	60	60	104,5	7	41	0,340
34	M42x2	35	19,5	33	52,5	47	70	69,5	122	8	50	0,620
100	M52x2	45	22,5	42	64,5	58	120	85	149,5	12	60	1,632

materials

Body	AISI 316 stainless steel
Needle	AISI 316
OR	Viton
Antiextrusion ring	PTFE
Check valve	Acc. Inox AISI 316
Spring	Acc. Inox AISI 316
Handwheel	GD Al Si 12 - UNI 5706
Handwheel (mp)	ABS

example for ordering

Code	Type	Plastic handwheel
FT 2267/5	12	mp



technical data

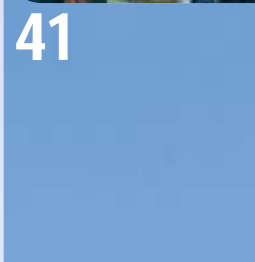
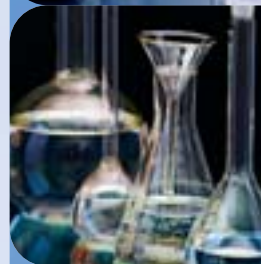
Type	Port section sq. cm	Max. working pressure bar	Min. burst. pressure bar	Working temp. °C	Filtration grade μm
14	0,07	320	1300	-20° / +130 °C	25
38	0,15	320	1300	-20° / +130 °C	25
12	0,37	320	1300	-20° / +130 °C	25
34	1,56	320	1300	-20° / +130 °C	25
100	3,80	320	1300	-20° / +130 °C	25

kit of seals for seat

Tipo	OR	Anello antiestrusione
14	2021	200-801
38	2018	2018
12	106	106
34	108	108
100	112	112

kit of seals for needle

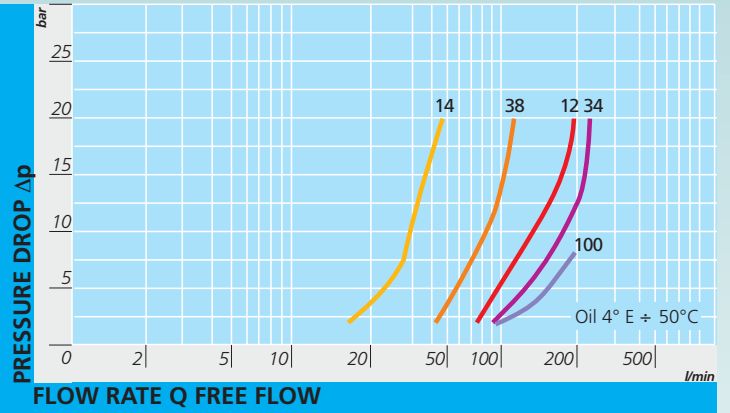
Tipo	1(OR)	2(BK) speciale
14	2050	267/2.022.00.1-38
38	2062	267/2.022.00.1-12
12	130	267/2.022.00.1-34
34	3118	267/5.022.00.1-34
100	3156	3156



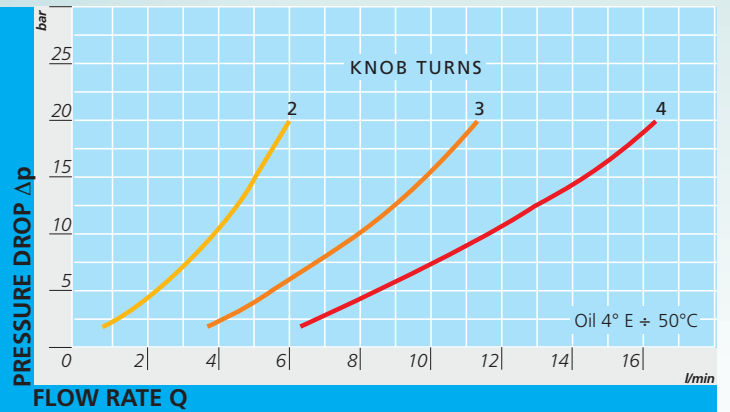
flowrate



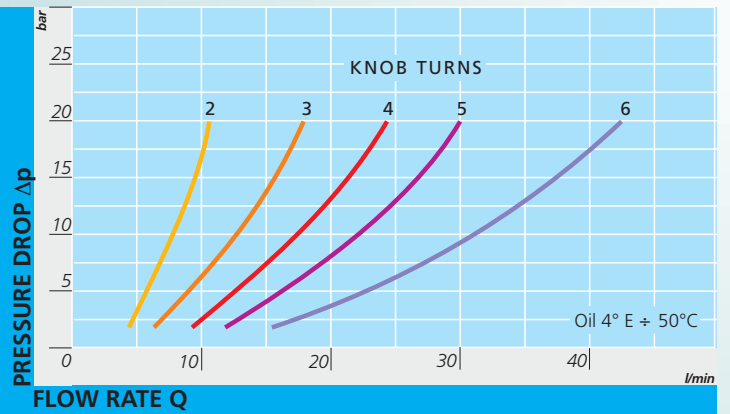
FT 2267/5



FT 2267/5 - 14

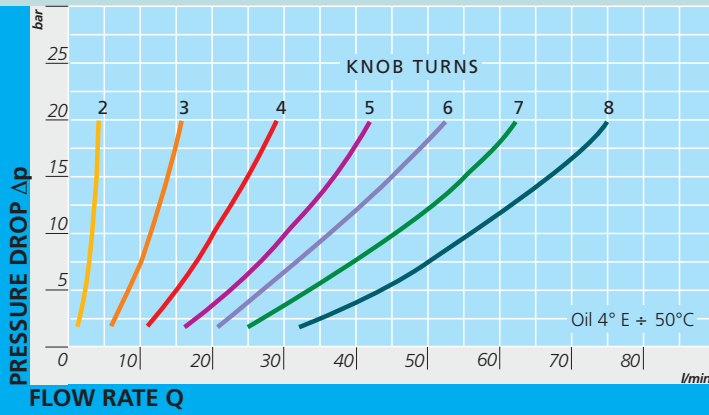


FT 2267/5 - 38

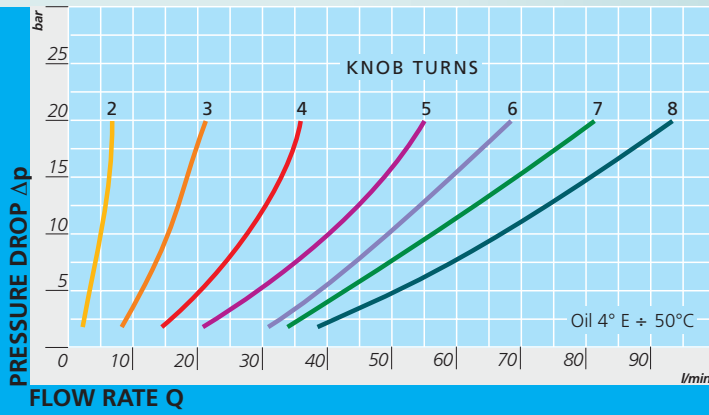


curves

FT 2267/5 - 12



FT 2267/5 - 34



FT 2267/5 - 100

