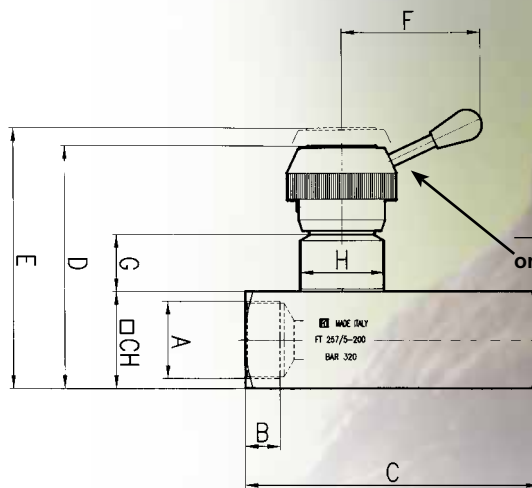
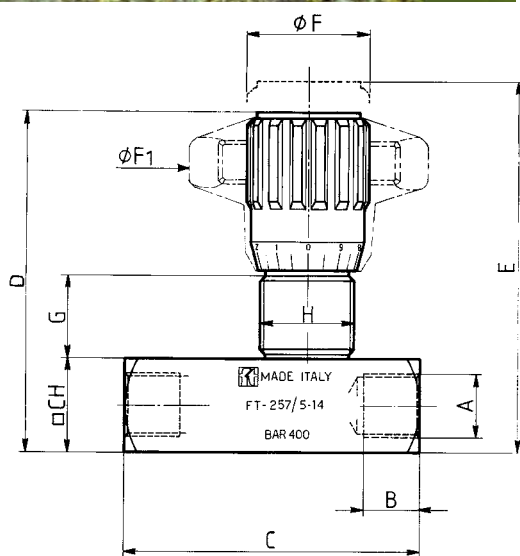


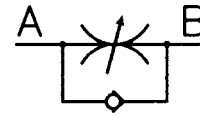
MATERIALS

BODY	11 S MN Pb 320 - UNI EN 10087
NEEDLE	1 C 40 - UNI 8373
OR	NITRILE
ANTIEXTRUSION RINGS	PTFE
CHECK VALVES	38 Ni CR Mo 4 UNI - EN 10083
SPRING	C85 UNI EN 10089
THREADED FOUND	35 S MN Pb 10 - UNI EN 10087
KNOB	GD AL Si 12 - UNI EN AB 46100
KNOB (MP)	ABS
KNOB (RA)	GD AL Si 12 - UNI EN AB 46100



DIMENSIONS

TYPE	A UNI 338	B	C	D	E	ØF	ØF1	G	H	CH	WEIGHT KG
18	1/8" G	8,5	50	59	64	22	40	13,5	M17x1	16	0,130
14	1/4" G	12,5	66	71	78	27	50	17	M20x1	20	0,250
38	3/8" G	12,5	79	84	93	33	70	19,5	M25x1,5	25	0,500
12	1/2" G	15,5	94,5	97	107	38	80	21	M30x1,5	30	0,750
34	3/4" G	17	115	120,5	132,5	47	100	26,5	M40x1,5	40	1,600
100	1" G	20	138,5	151,5	167,5	58	120	35	M50x1,5	50	3,050
114	1 1/4" G	22	157	156,5	172,5	58	120	35	M50x1,5	55	3,750
112	1 1/2" G	24	190	167	181	58	120	35	M55x2	65	5,760
200	2" G	27	228	188	202	108	-	44	M65x2	75	10,000



IN LINE SINGLE-ACTING CONTROL VALVES

Their function is to control and, if necessary, to shut-off the flow in one direction, allowing a free return flow in the opposite direction. Appreciated for their aesthetic characteristics, they are a reliable solution.

The suitable dimensioning has made possible to obtain, in a little space, a great mechanic resistance of the components. The spring in high-resistance material is housed in such a way that it does not close as a pack during the opening of the single-acting conical valve poppet.

Like all the valves of the series FT 257 they ensure:

- metallic seal;
- flow linearity at the opening;
- accurate control for a wide range of flow rate, thanks to the double reference system
- wide range of the flow rate control;
- impossibility for the needle to leave its seat even in the max. opening position;
- stable positioning thanks to a dowel inside the knob;
- quickness in the assembling of the panel (the ring nuts (G) are supplied on request).

The check valve is calibrated at 0,5 bar.

On request

- Versions AISI 316 code FT 2257/5
- Viton seals (V)
- NPT threads
- Equipped with ring nuts (G)
- Knob in ABS (mp)
- Lobes aluminium die-cast handwheel (RA)



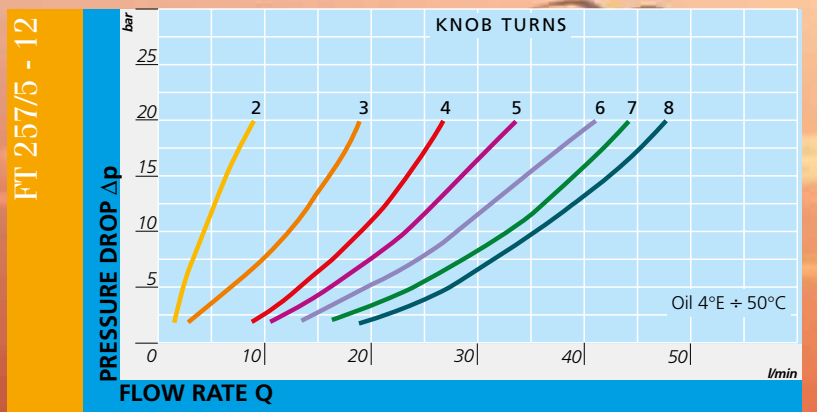
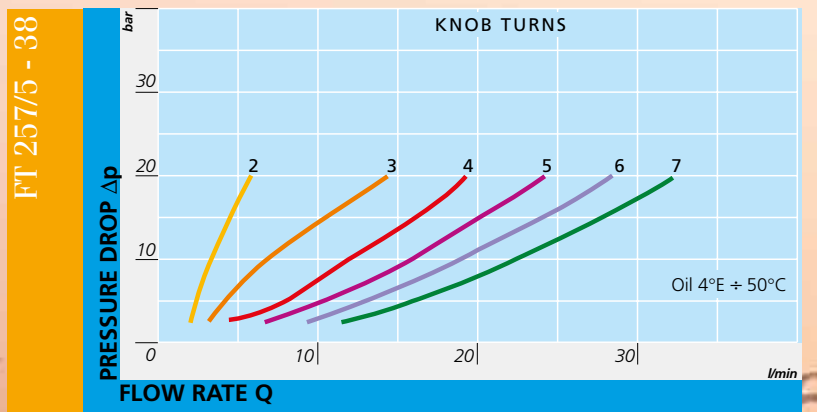
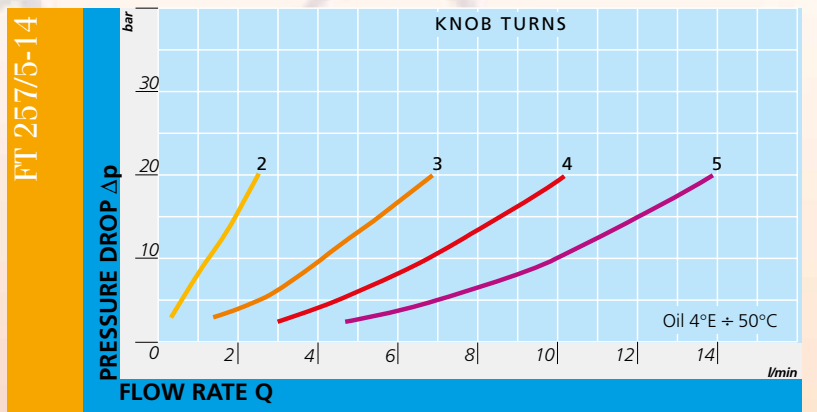
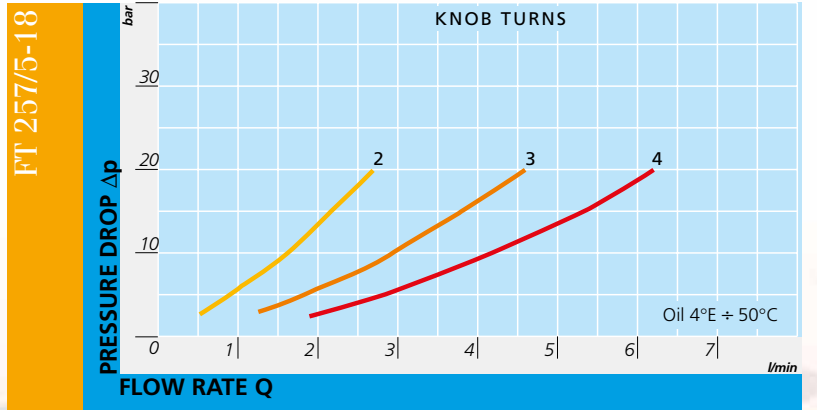
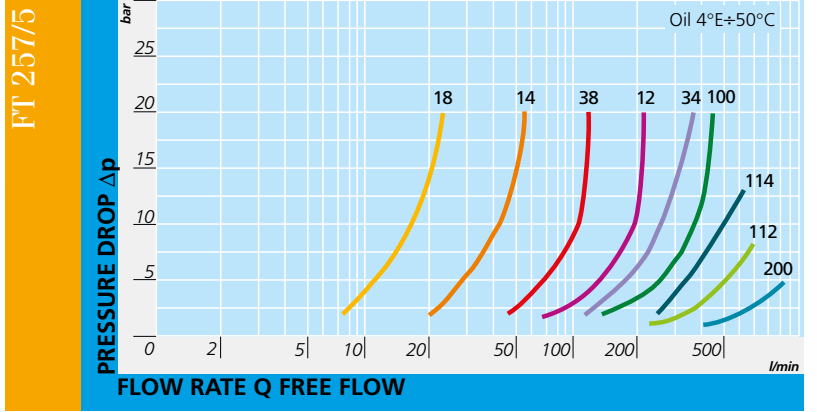
FT 257/5

EXAMPLE FOR ORDERING

	CODE	TYPE	PANNEL RING NUT	VITON SEAL	KNOB IN PLASTIC
STEEL	FT 257/5	18	G	V	MP
STAINLESS STEEL	FT 2257/5	34	G	-	MP

TECHNICAL DATA

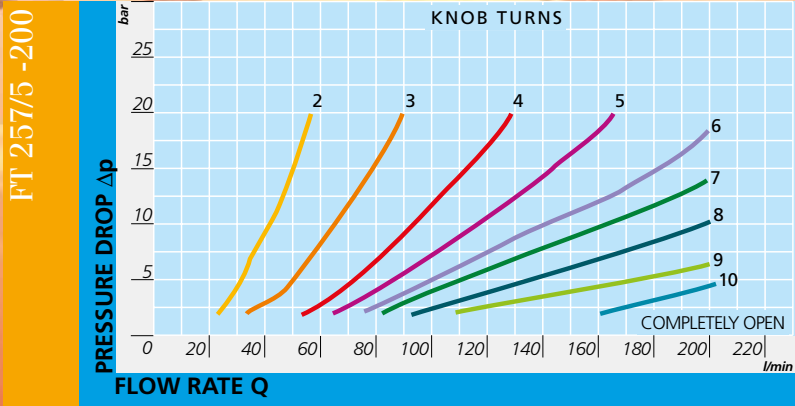
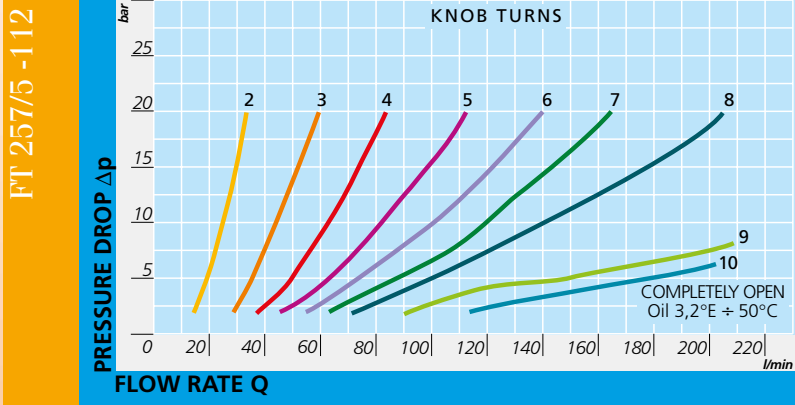
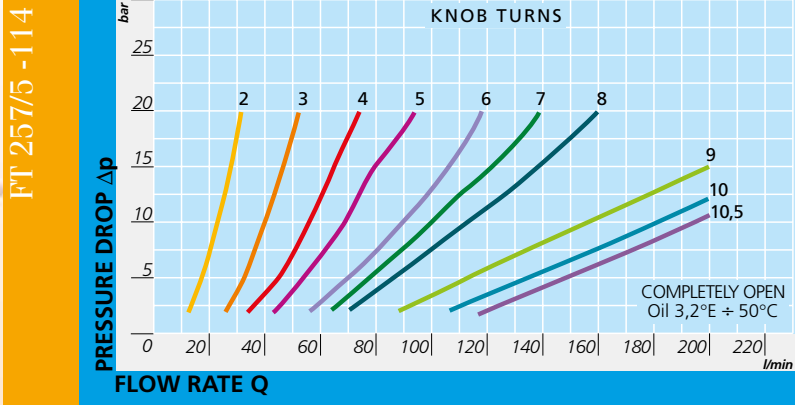
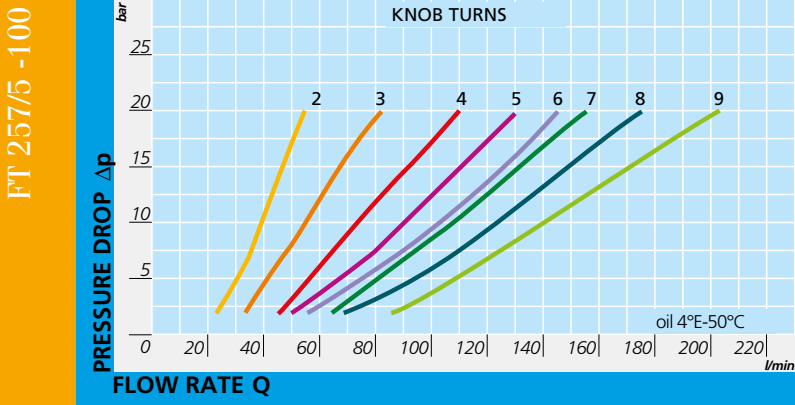
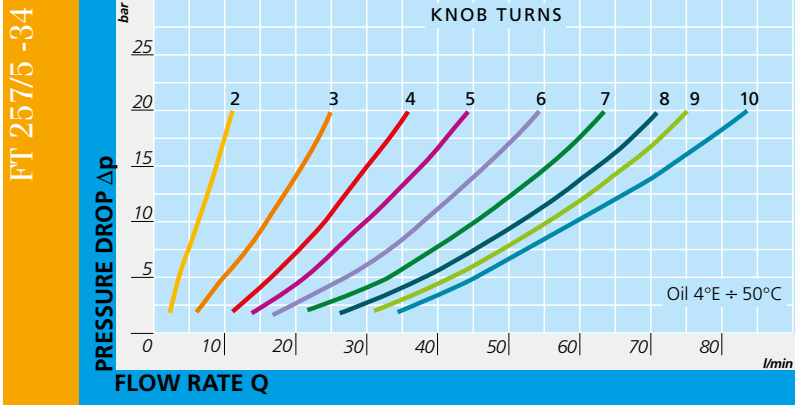
TYPE	FLOW SECTION CM ²	WORKING PRESSURE BAR	MIN. BURSTING PRESSURE BAR	WORKING TEMPERATURE	FILTRATION GRADE μM
18	0,12	400	1600	-20°/+100°	25
14	0,19	400	1600	-20°/+100°	25
38	0,39	400	1600	-20°/+100°	25
12	0,68	400	1600	-20°/+100°	25
34	1,13	400	1600	-20°/+100°	25
100	2,09	320	1300	-20°/+100°	25
114	2,09	320	1300	-20°/+100°	25
112	3,14	320	1300	-20°/+100°	25
200	4,91	320	1300	-20°/+100°	25





FLOW RATE CURVES

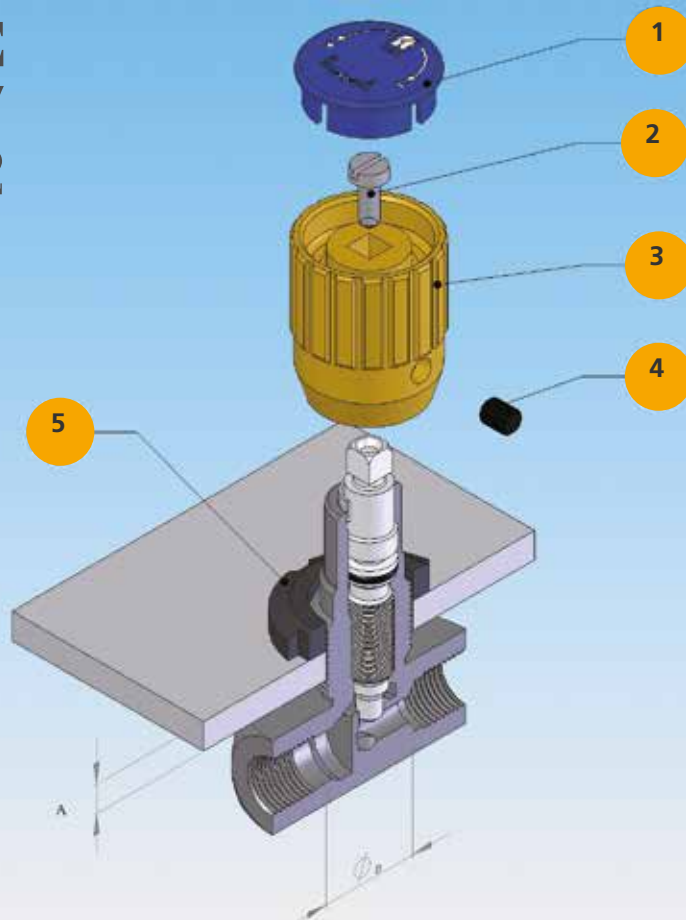
SERIE FT 257 - FT 252





SERIE FT 257 - FT 252

SERIE
FT 257
FT 252



PANEL MOUNTING INSTRUCTION

PANEL MOUNTING

1°	UNSCREW LOCK SCREW (4)
2°	REMOVE COVER PLATE (1)
3°	UNSCREW SCREW (2)
4°	PULL OFF HANDLE (3)
5°	INSERT RING NUT (5), ON REQUEST IT IS SUPPLIED WITH THE VALVE

FT 257

TYPE VALVE	PANEL THICKNESS A MAX	BORE FOR PANEL MOUNTING $\varnothing B$
18	6	18
14	8	21
38	10	26
12	10	31
34	10	41
100	10	51
114	10	51
112	12	56
200	12	66

FT 252

TYPE VALVE	PANEL THICKNESS A MAX	BORE FOR PANEL MOUNTING $\varnothing B$
14	5	18
38	5	21
12	5	26



SERIE FT 257 - FT 252



FT 1251/5-01

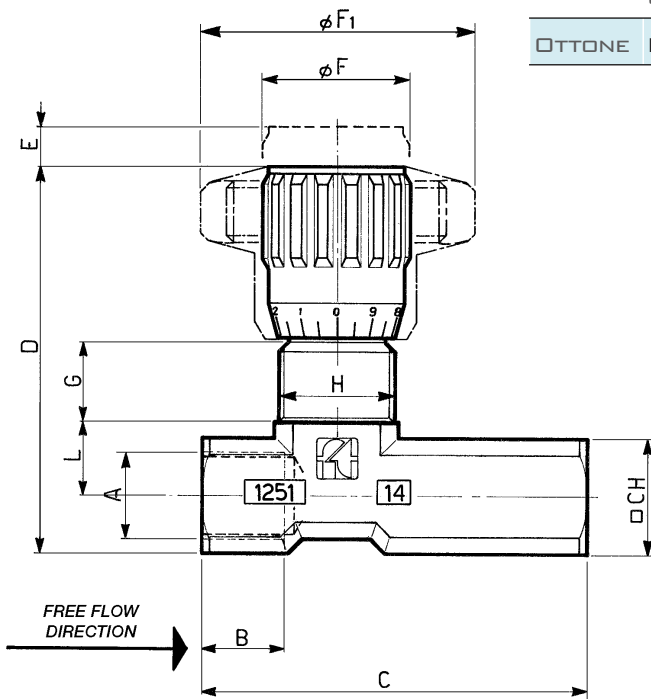


MATERIALS

BODY	OT 58 - UNI 5705 NICKEL PLATED
NEEDLE	X 10 CR NI S 1809 - UNI 6900
OR	NITRILE
ANTIEXTRUSION RING	PTFE
KNOB	GD AL SI 12 - UNI EN AB 46100
SPRING	ABS
BALL	AISI 302
BALL GUIDE	UNI 100 C 6
GUIDA SFERA	NYLON 66 + CARBON FIBER

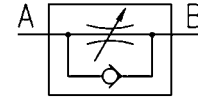
EXAMPLE FOR ORDERING

ACCESSORIES ON REQUEST					
	CODE	TYPE	PANEL RING NUT	VITON SEAL	KNOB ABS
OTTONE	FT 1251/5-01	38	G	V	MP



DIMENSIONS

TYPE	A UNI 338	B	C	D	E	ØF	ØF1	G	H	L	□ CH	WEIGHT KG
14	1/4"G	12	56	57	4,5	22	40	11	M17x1	11,5	18	0,138
38	3/8"G	13	64,5	69	7	27	50	12,5	M20x1	15	22	0,259
12	1/2"G	16	87	82	10	33	70	13	M25x1,5	19	27	0,499
34	3/4"G	20	115	100	12	38	80	15	M30x1,5	22	34	0,975



SINGLE-ACTING CONTROL VALVES FEMALE-FEMALE IN LINE

They allow regulation of flow in one direction and full free flow in opposite direction thanks to the single-acting unit of ball type with guide cage they are equipped with.

As an alternative to FT 257/5 (suitable up to 400 bar) where the working pressure does not exceed 210 bar and where ferrous materials cannot be used.

They have the same characteristics as the FT 257 series:

- accurate flow regulation;
- efficient metallic sealing;
- simple setting of flow rates;
- secure against accidental needle withdrawal;
- secure needle position with locking screw inserted in the knob;
- provision for panel mounting, for which special lock nut (G) is supplied on request.

For use with pressure up to 210 bar

On request

- Viton (V) seals
- NPT threads
- ABS (mp)Knob
- Complete with lock nut (G)



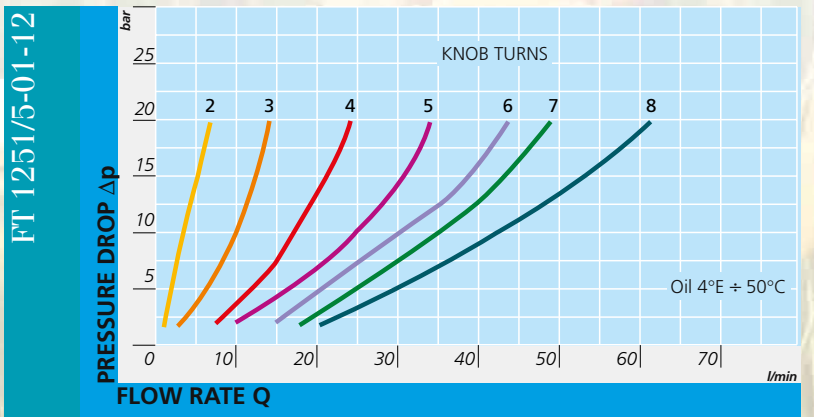
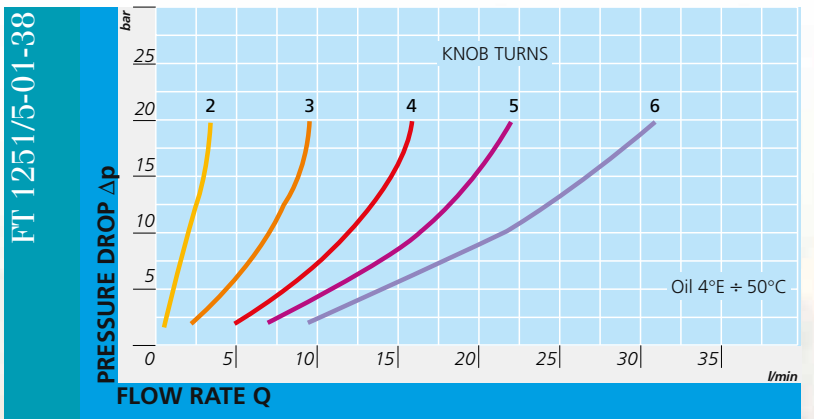
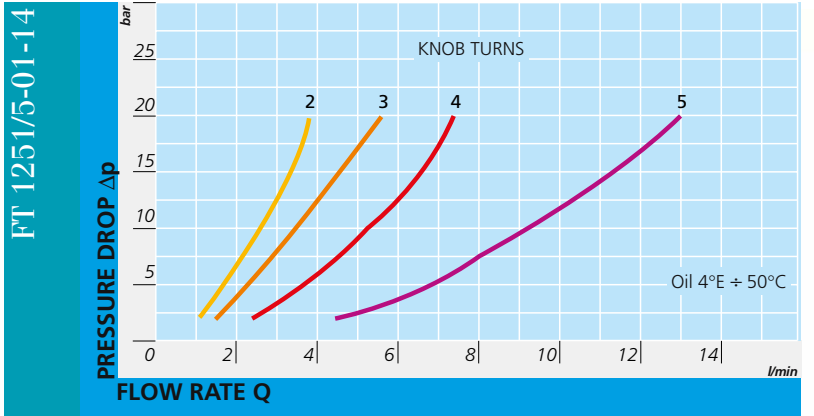
FT 1251/5-01

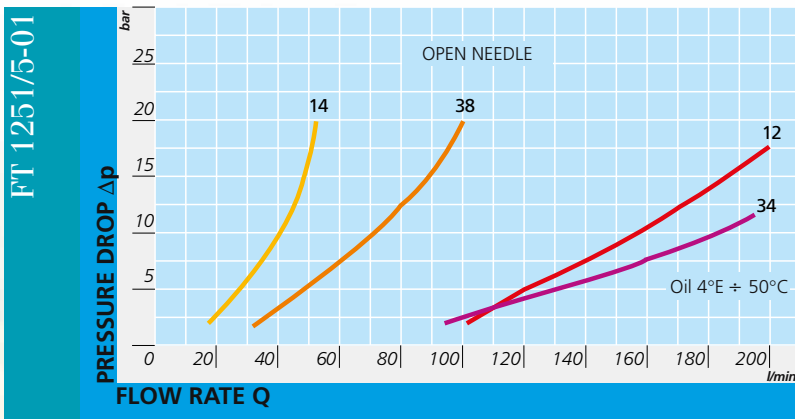
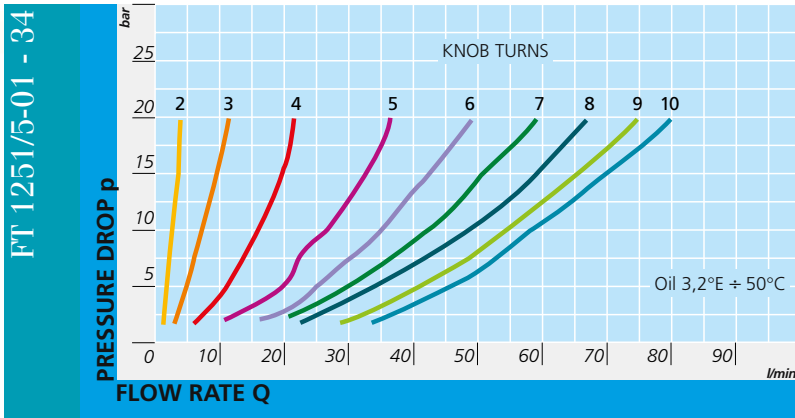
TECHNICAL DATA

TYPE	FLOW SQ MM ²	MAX WORKING PRESSURE BAR	WORKING TEMPERATURE °C	FILTRATION GRADE μM
14	12,57	210	-20°/+100°	25
38	19,64	210	-20°/+100°	25
12	50,27	210	-20°/+100°	25
34	78,54	210	-20°/+100°	25



FT 1251/5-01

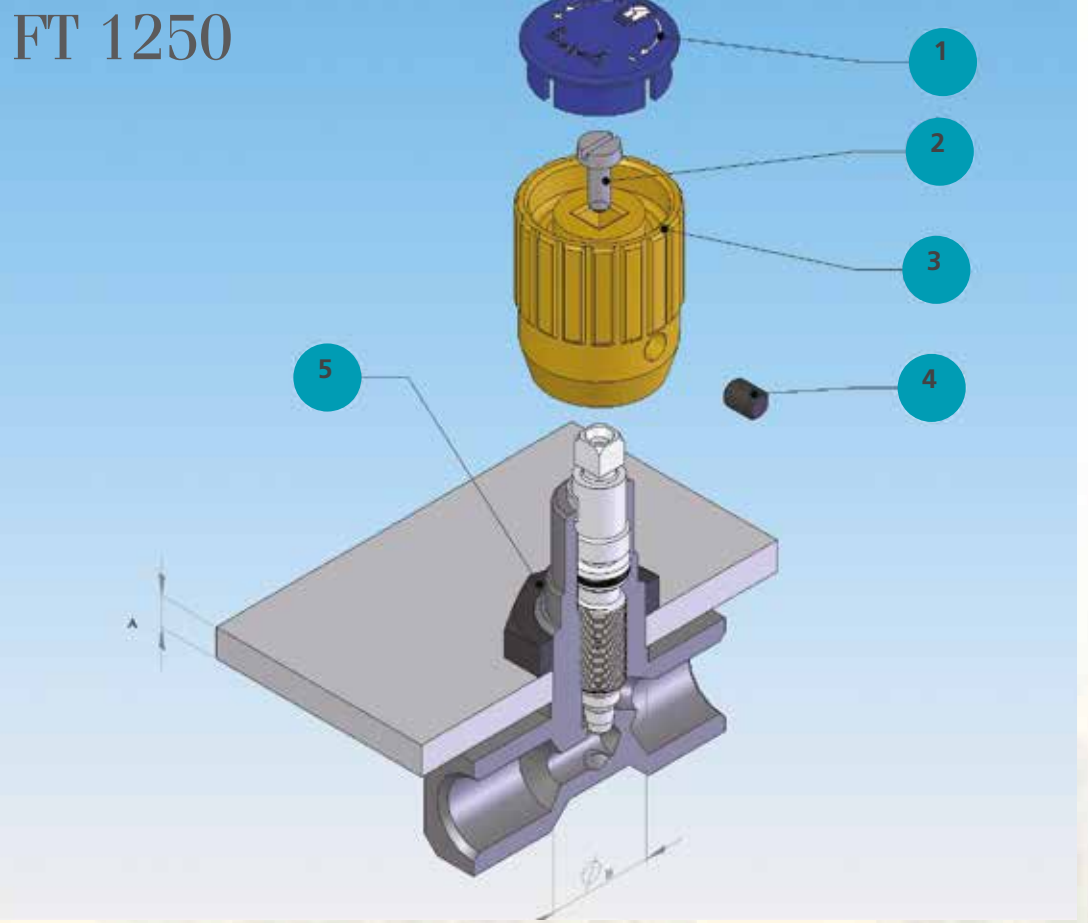




FT 1251/5-01



FT 1250



ASSEMBLY INSTRUCTION

1°	LOOSEN SCREW PRESSURE DOWEL (4)
2°	REMOVE PLUG (1)
3°	REMOVE SCREW (2)
4°	PULL OFF KNOB (3)
5°	INSERT RING NUT (5), ON REQUEST IT IS SUPPLIED WITH THE VALVE
(A)	MAX. THICKNESS
(B)	PANEL HOLE \varnothing

TYPE VALVE	THICKNESS PANEL A MAX	PANEL HOLE \varnothing B
18	5	16
14	5	18
38	5	21
12	6	26
34	6	31



SERIE FT 1250



FT 1253/5

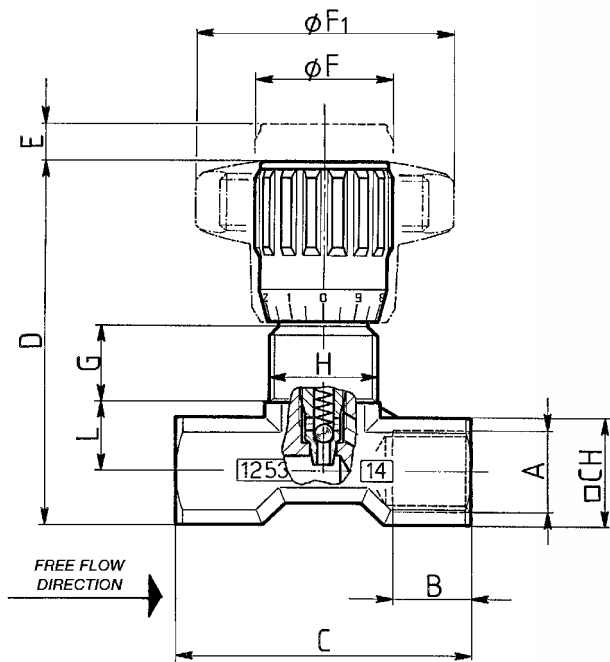


MATERIALS

BODY	QT 58 - UNI 5705 - NICKEL PLATED
NEEDLE	X 10 CR NI S 1809 - UNI 6900
OR	NITRILE
ANTIEXTRUSION RING	PTFE
KNOB	GD AL SI 12 - UNI EN AB 46100
KNOB (MP)	ABS

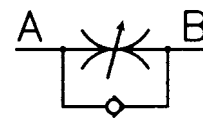
EXAMPLE FOR ORDERING

ACCESSORIES ON REQUEST					
	CODE	TYPE	PANEL RING NUT	VITON SEAL	KNOB ABS
BRASS	FT 1253/5-01	12	G	V	MP
STAINLESS STEEL	FT 2253/5-01	18	G	-	MP



DIMENSIONS

TYPE	A UNI 338	B	C	D	E	ØF	ØF1	G	H	L	□ CH	WEIGHT KG
18	1/8"G	8	40	55	4	22	40	12	M15x1	9,5	15	0,105
14	1/4"G	12	46	57	4,5	22	40	11,5	M17x1	11,5	18	0,135
38	3/8"G	13	55	69	7	27	50	12,5	M20x1	15	22	0,250
12	1/2"G	16	70	82	10	33	70	13	M25x1,5	19	27	0,460
34	3/4"G	20	91	100	12	38	80	15	M30x1,5	22	34	0,860



SINGLE-ACTING NEEDLE CONTROL VALVE IN LINE

Derived from the pressing of series FT 1251/2 they allow regulation of flow in one direction and full free flow in opposite direction thanks to the needle unit with incorporated ball they are equipped with.

As an alternative to FT 257/5 (suitable up to 400 bar) where the working pressure does not exceed 210 bar and where ferrous materials cannot be used.

They have the same characteristics as the FT 257 series:

- accurate flow regulation;
- efficient metallic sealing;
- simple setting of flow rates;
- secure against accidental needle withdrawal;
- secure needle position;
- provision for panel mounting, for which special lock nut (G) is supplied on request.

For use with pressure up to 210 bar

On request

- Versions AISI 316 Code FT 2253/5
- Viton (V) seals
- NPT threads
- ABS (mp)Knob
- Complete with lock nut (G)



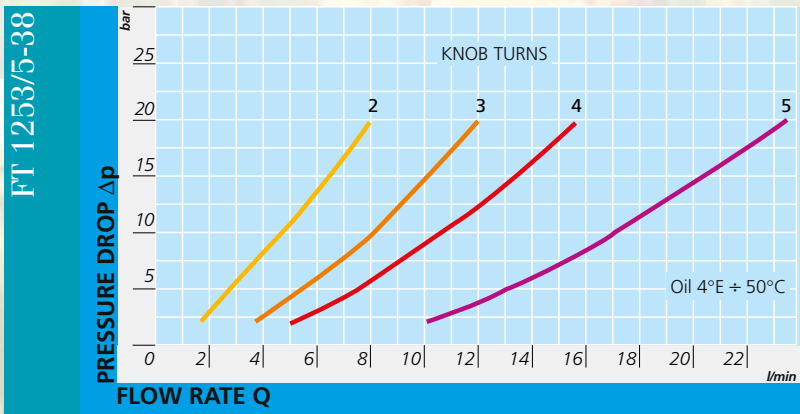
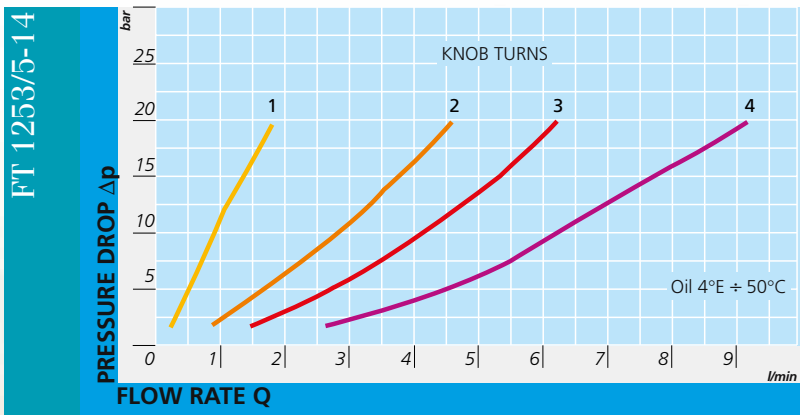
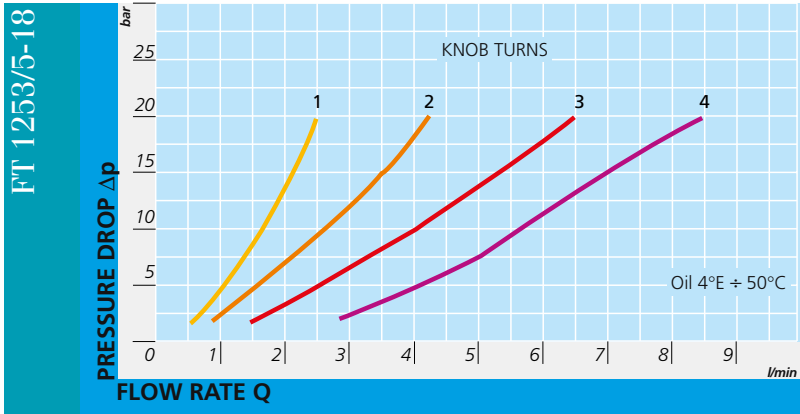
FT 1253/5

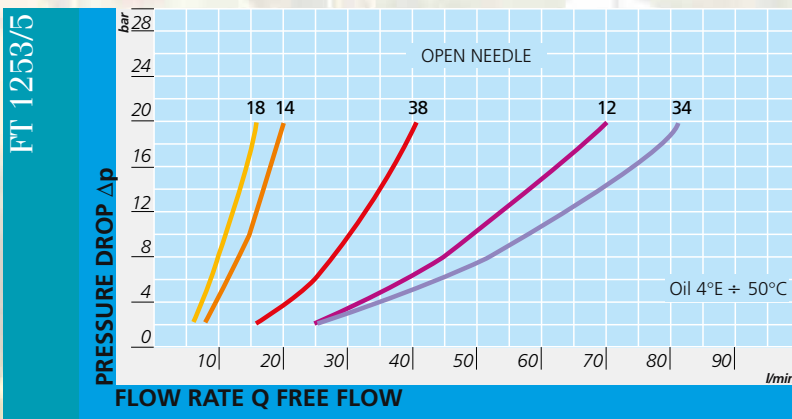
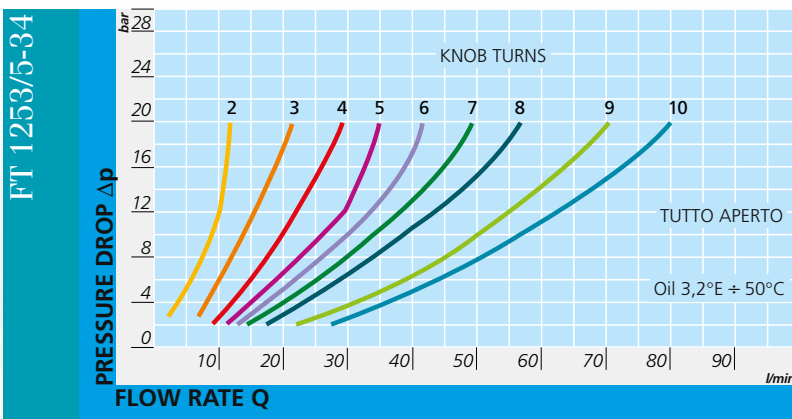
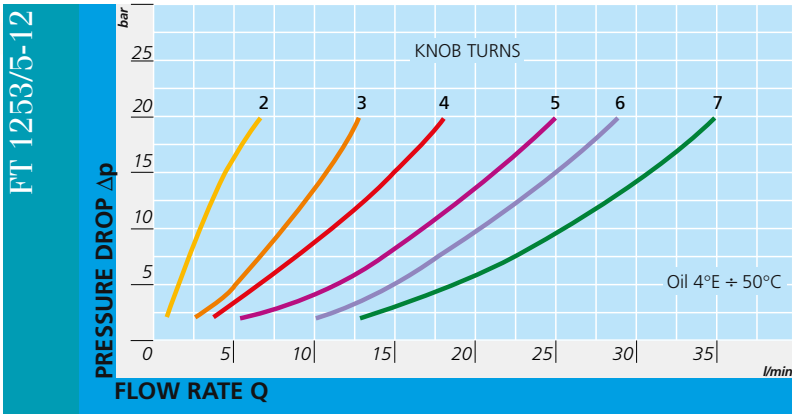
TECHNICAL DATA

TYPE	FLOW SQ MM ²	MAX WORKING PRESSURE BAR	WORKING TEMPERATURE °C	FILTRATION GRADE μM
18	7,07	210	-20°/+100°	25
14	12,57	210	-20°/+100°	25
38	19,64	210	-20°/+100°	25
12	50,27	210	-20°/+100°	25
34	78,54	210	-20°/+100°	25



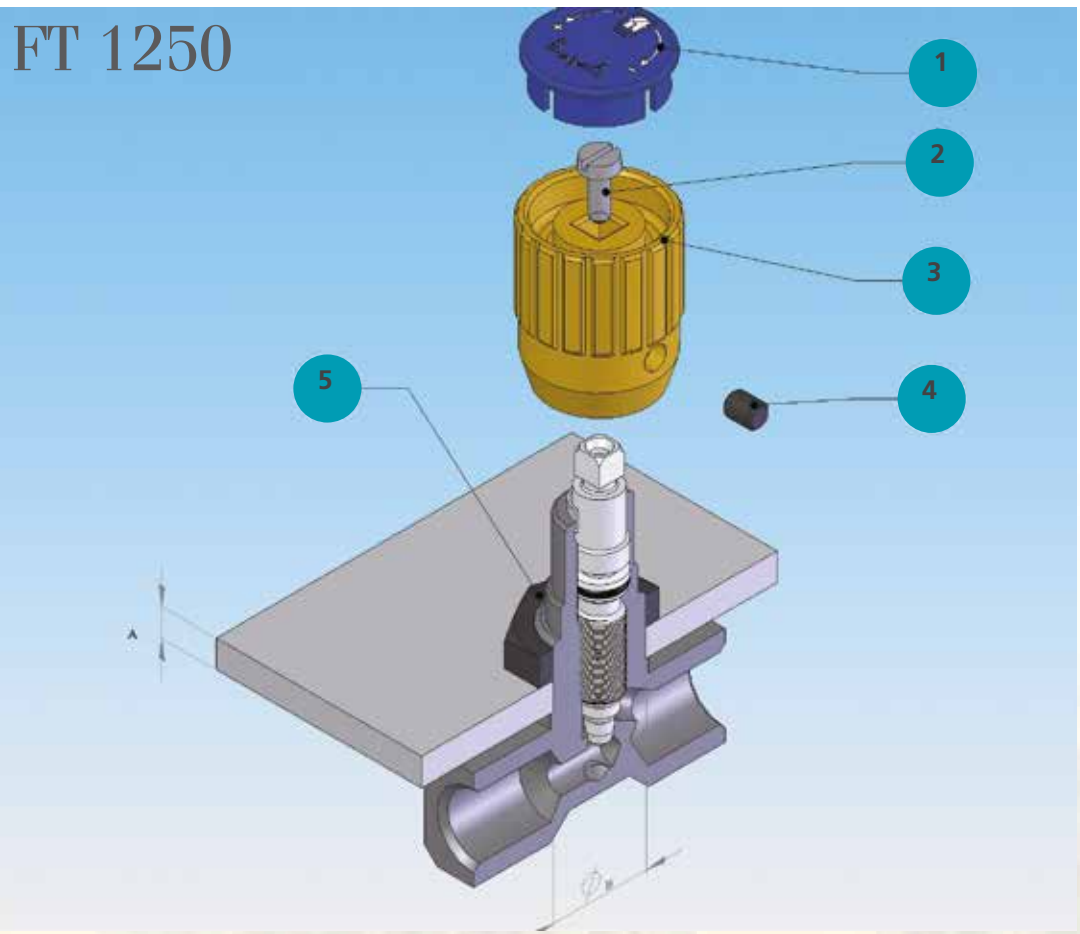
FT 1253/5







FT 1250



ASSEMBLY INSTRUCTION

1°	LOOSEN SCREW PRESSURE DOWEL (4)
2°	REMOVE PLUG (1)
3°	REMOVE SCREW (2)
4°	PULL OFF KNOB (3)
5°	INSERT RING NUT (5), ON REQUEST IT IS SUPPLIED WITH THE VALVE
(A)	MAX. THICKNESS
(B)	PANEL HOLE \varnothing

TYPE VALVE	THICKNESS PANEL A MAX	PANEL HOLE \varnothing B
18	5	16
14	5	18
38	5	21
12	6	26
34	6	31



SERIE FT 1250



FT 1254/5-01

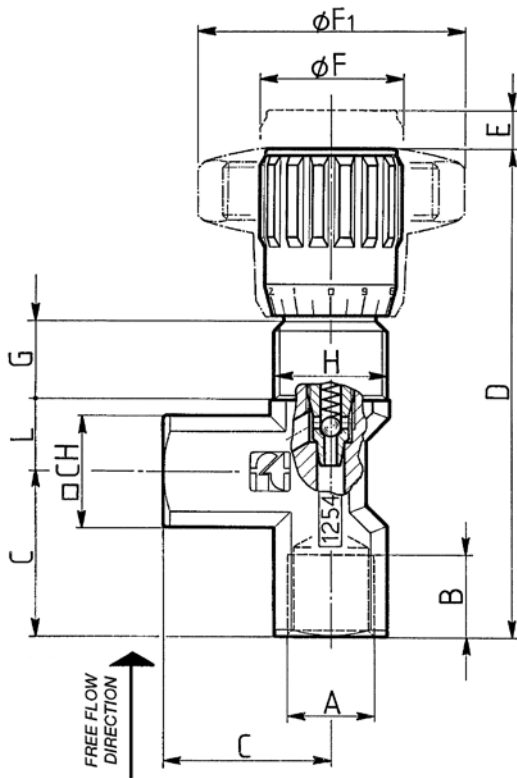


MATERIALS

BODY	OT 58 - UNI 5705 - NICKEL PLATED
NEEDLE	X 10 CR NI S 1809 - UNI 6900
OR	NITRILE
ANTIEXTRUSION RING	PTFE
KNOB	GD AL SI 12 - UNI EN AB 46100
KNOB (MP)	ABS

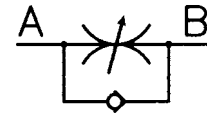
EXAMPLE FOR ORDERING

ACCESSORIES ON REQUEST					
	CODE	TYPE	PANEL RING NUT	VITON SEAL	KNOB ABS
BRASS	FT 1254/5-01	38	G	V	MP



DIMENSIONS

TYPE	A UNI 338	B	C	D	E	ØF	ØF1	G	H	L	□ CH	WEIGHT KG
18	1/8"G	8	21	69	4	22	40	12	M15x1	9,5	15	0,105
14	1/4"G	12	25	74	4,5	22	40	11	M17x1	11,5	18	0,137
38	3/8"G	13	29,5	88	7	27	50	12,5	M20x1	15	22	0,251
12	1/2"G	16	36	105	10	33	70	13	M25x1,5	19	27	0,450



SINGLE-ACTING NEEDLE CONTROL VALVE 90° ANGLE

Derived from the pressing of series FT 1252/2 they allow regulation of flow in one direction and full free flow in opposite direction thanks to the needle unit with incorporated ball they are equipped with.

As an alternative to FT 257/5 (suitable up to 400 bar) where the working pressure does not exceed 210 bar and where ferrous materials cannot be used.

They have the same characteristics as the FT 257 series:

- accurate flow regulation;
- efficient metallic sealing;
- simple setting of flow rates;
- secure against accidental needle withdrawal;
- secure needle position;
- provision for panel mounting, for which special lock nut (G) is supplied on request.

For use with pressure up to 210 bar

On request

- Viton (V) seals
- NPT threads
- ABS (mp)Knob
- Complete with lock nut (G)
- Stainless steel FT 2254/5/01



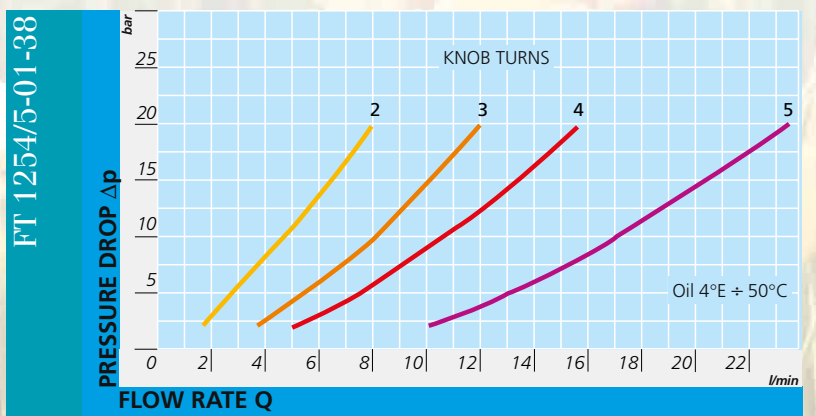
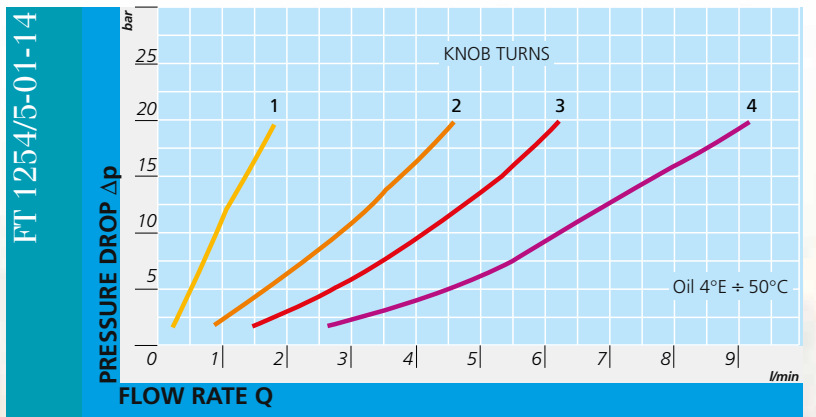
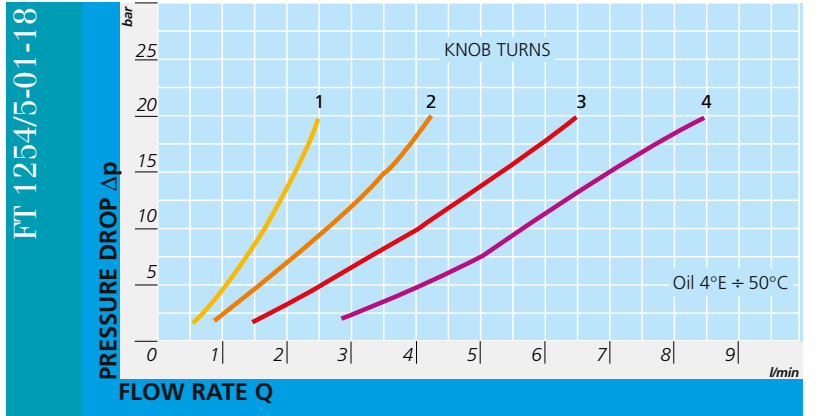
FT 1254/5-01

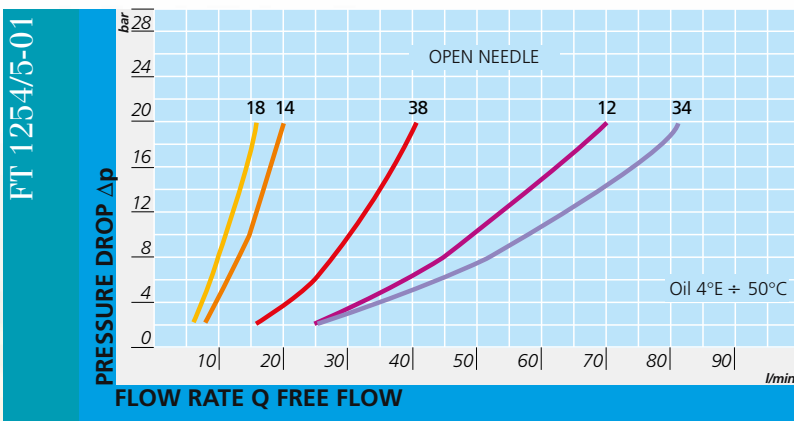
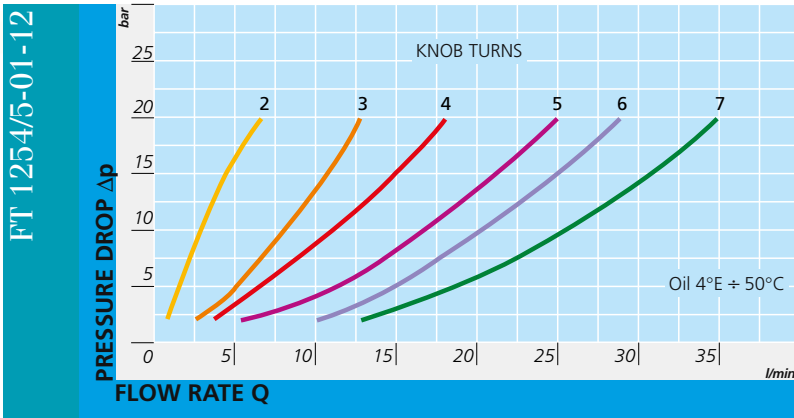
TECHNICAL DATA

TYPE	FLOW SQ MM ²	MAX WORKING PRESSURE BAR	WORKING TEMPERATURE °C	FILTRATION GRADE μM
18	7,07	210	-20°/+100°	25
14	12,57	210	-20°/+100°	25
38	19,64	210	-20°/+100°	25
12	50,27	210	-20°/+100°	25



FT 1254/5-01



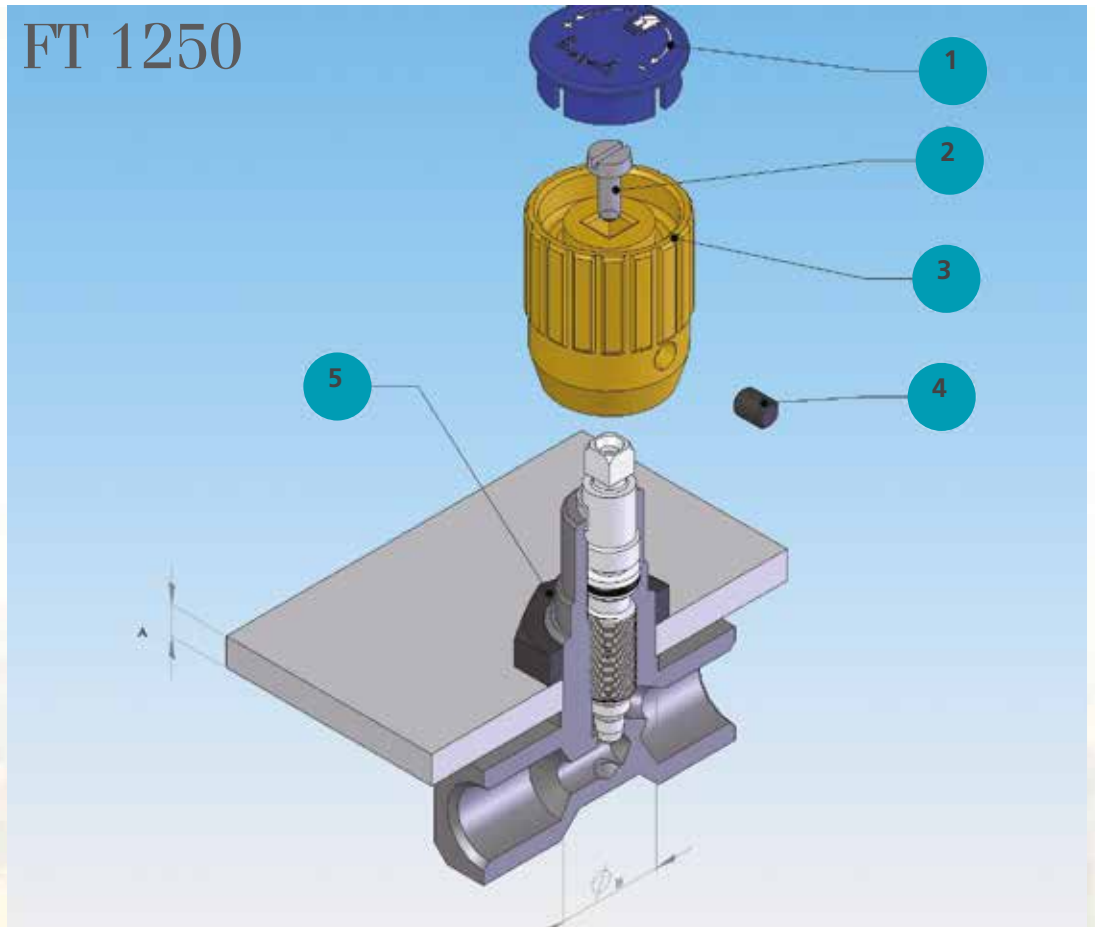


FT 1254/5-01



FT 1250

FT 1250



ASSEMBLY INSTRUCTION

1°	LOOSEN SCREW PRESSURE DOWEL (4)
2°	REMOVE PLUG (1)
3°	REMOVE SCREW (2)
4°	PULL OFF KNOB (3)
5°	INSERT RING NUT (5), ON REQUEST IT IS SUPPLIED WITH THE VALVE
(A)	MAX. THICKNESS
(B)	PANEL HOLE \varnothing

TYPE VALVE	THICKNESS PANEL A MAX	PANEL HOLE \varnothing B
18	5	16
14	5	18
38	5	21
12	6	26
34	6	31



SERIE FT 1250



SINGLE-ACTING NEEDLE CONTROL VALVE IN LINE

Derived from the pressing of series FT 2251/2 they allow regulation of flow in one direction and full free flow in opposite direction thanks to the needle unit with incorporated ball they are equipped with. As an alternative to FT 2257/5 where the working pressure does not exceed 350 bar. They can be used also with fluids different from oil, such as: air, gas and liquids in general.

They have the same characteristics as the FT 2257 series:

- accurate flow regulation;
- efficient metallic sealing;
- simple setting of flow rates;
- secure against accidental needle withdrawal;
- secure needle position;
- ready for panel mount

On request

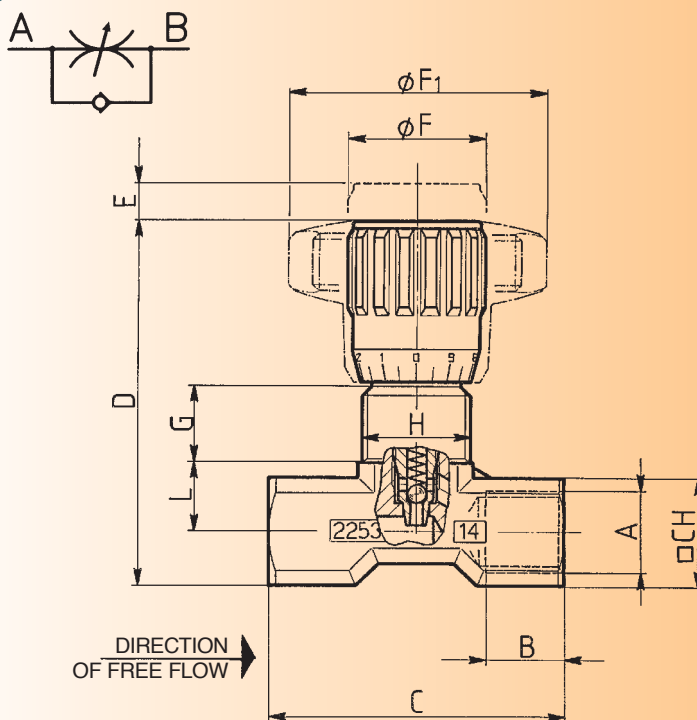
- NPT threads
- ABS (mp)Knob
Complete with lock nut (G)
- Versions with connections male/female (02)

materials

Body	AISI 316 stainless steel
Needle	X 10 Cr Ni S 1809 - UNI 6900
OR	Viton
Antiextrusion ring	PTFE
Handwheel	GD Al Si 12 - UNI 5706
Handwheel (mp)	ABS

example for ordering

Code	Type	Lock nut	Plastic handwheel
FT 2253/5-01	14	G	mp



indynamica
drive and control products

dimensions

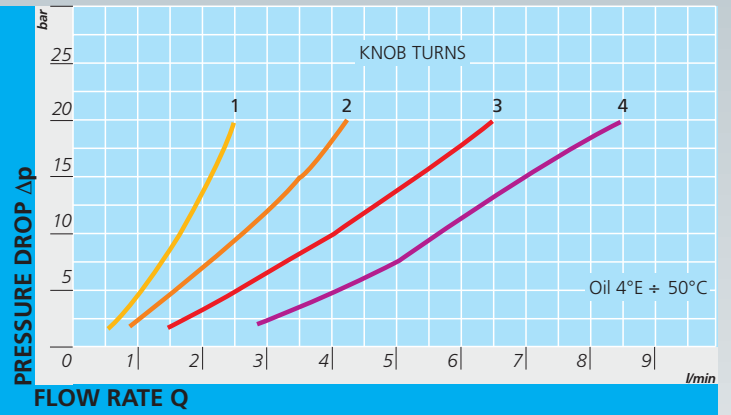
Type	UNI 338	B	C	D	E	ØF	ØF1	G	H	L	CH	Weight kg
18	1/8"G	8	40	55	4	22	40	12	M15x1	9,5	15	0,105
14	1/4"G	12	46	57	4,5	22	40	11,5	M17x1	11,5	18	0,135
38	3/8"G	13	55	69	7	27	50	12,5	M20x1	15	22	0,250
12	1/2"G	16	70	82	10	33	70	13	M25x1,5	19	27	0,460
34	3/4"G	20	91	100	12	38	80	15	M30x1,5	22	34	0,860

technical data

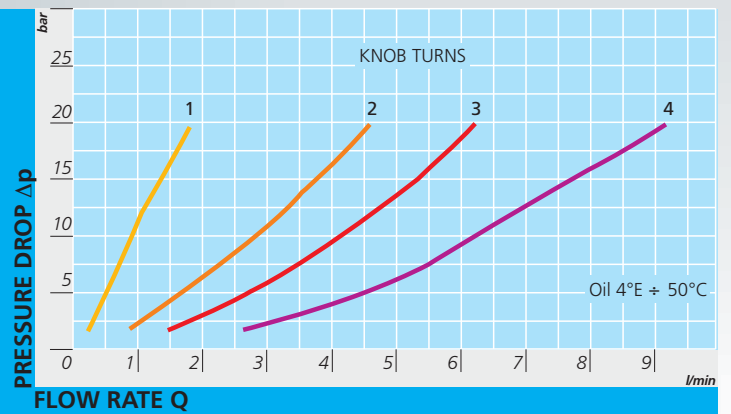
Type	Port section sq. mm	Max. working pressure bar	Working temperature °C	Filtration grade µm
18	7,07	350	-20° / 130°C	25
14	12,57	350	-20° / 130°C	25
38	19,64	350	-20° / 130°C	25
12	50,27	350	-20° / 130°C	25
34	78,54	350	-20° / 130°C	25



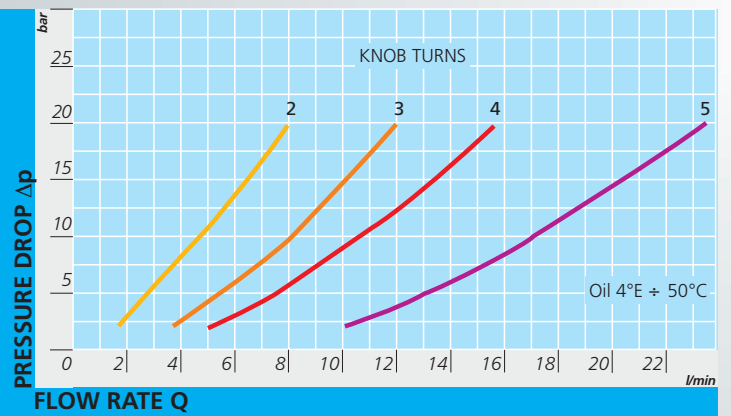
FT 2253/5-18



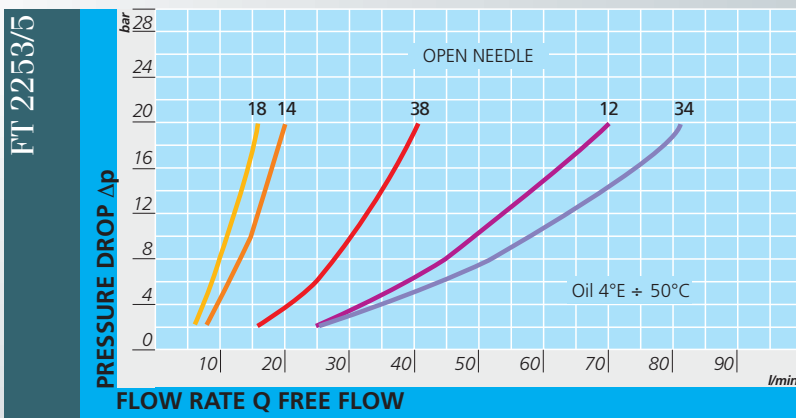
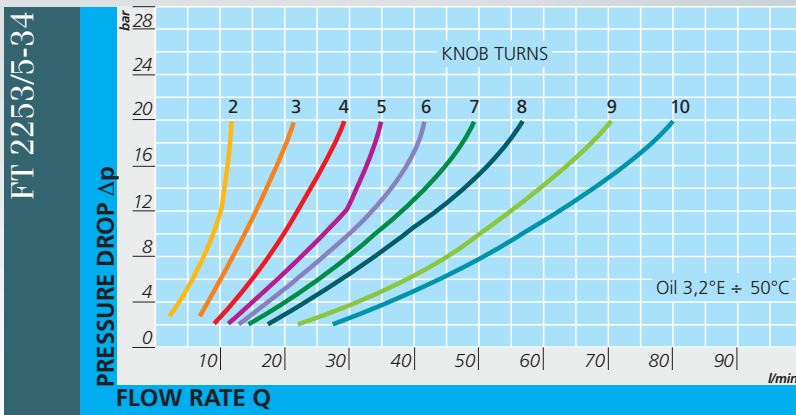
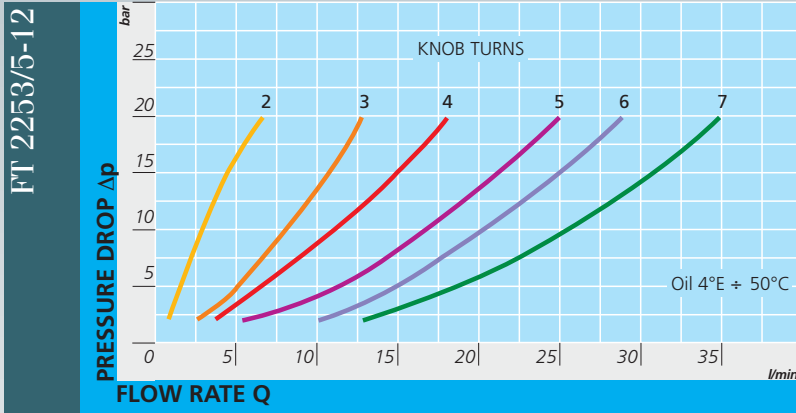
FT 2253/5-14



FT 2253/5-38



curves



FT2257/5



IN LINE SINGLE-ACTING CONTROL VALVES

Their function is to control and, if necessary, to shut-off the flow in one direction, allowing a free return flow in the opposite direction. Appreciated for their aesthetic characteristics, they are a reliable solution. The suitable dimensioning has made possible to obtain, in a little space, a great mechanic resistance of the components. The spring in high-resistance material is housed in such a way that it does not close as a pack during the opening of the single-acting conical valve poppet.

Like all the valves of the series FT 2257 they ensure:

- metallic seal;
 - flow linearity at the opening;
 - accurate control for a wide range of flow rate, thanks to the double reference system
 - wide range of the flow rate control;
 - impossibility for the needle to leave its seat even in the max. opening position;
 - stable positioning thanks to a dowel inside the knob;
 - quickness in the assembling of the panel (the ring nuts (G) are supplied on request).
- The check valve is calibrated at 0,5 bar.



On request

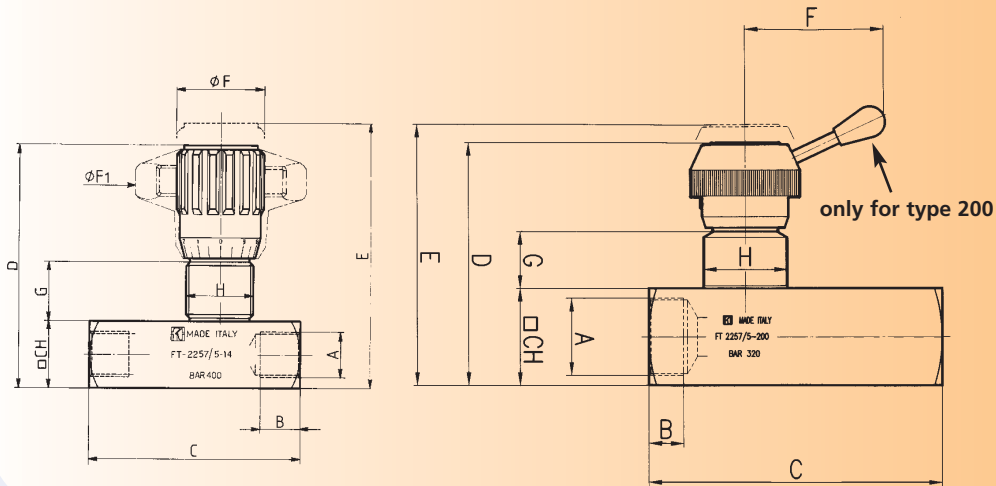
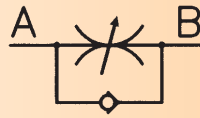
- NPT threads
- Equipped with ring nuts (G)
- Knob in ABS (mp)

materials

Body	AISI 316 stainless steel
Needle	AISI 316 stainless steel
OR	Viton
Antiextrusion ring	PTFE
Check Valve	Acc. Inox AISI 316
Spring	Acc. Inox AISI 316
Threaded end-plate	Acc. Inox AISI 316
Handwheel	GD Al Si 12 - UNI 5706
Handwheel (mp)	ABS

example for ordering

Code	Type	Panel ring	Viton seal	Plastic handwheel
FT 2257/5	12	G	-	mp

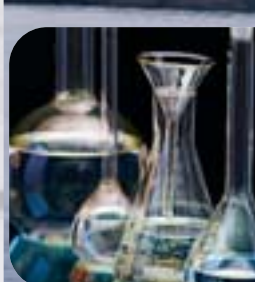


dimensions

Type	A UNI 338	B	C	D	E	øF	øF1	G	H	CH	Weight kg
18	1/8"G	8,5	50	59	64	22	40	13,5	M17x1	16	0,130
14	1/4"G	12,5	66	71	78	27	50	17	M20x1	20	0,250
38	3/8"G	12,5	79	84	93	33	70	19,5	M25x1,5	25	0,500
12	1/2"G	15,5	94,5	97	107	38	80	21	M30x1,5	30	0,750
34	3/4"G	17	115	120,5	132,5	47	100	26,5	M40x1,5	40	1,600
100	1"G	20	138,5	151,5	167,5	58	120	35	M50x1,5	50	3,050
114	1 1/4"G	22	157	156,5	172,5	58	120	35	M50x1,5	55	3,750
112	1 1/2"G	24	190	167	181	58	120	35	M55x2	65	5,760
200	2"G	27	228	188	202	108	-	44	M65x2	75	10,000

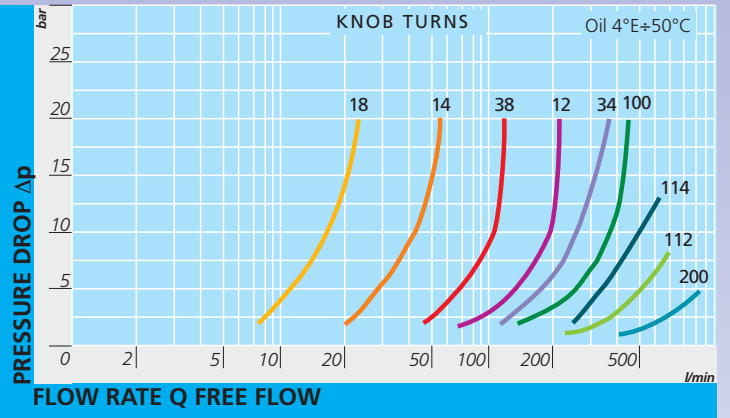
technical data

Type	Port section sq. cm ²	Working pressure bar	Min. burst. pressure bar	Working temp. °C	Filtration grade µm
18	0,12	400	1600	-20 / +130°C	25
14	0,19	400	1600	-20 / +130°C	25
38	0,39	400	1600	-20 / +130°C	25
12	0,68	400	1600	-20 / +130°C	25
34	1,13	400	1600	-20 / +130°C	25
100	2,09	320	1300	-20 / +130°C	25
114	2,09	320	1300	-20 / +130°C	25
112	3,14	320	1300	-20 / +130°C	25
200	4,91	320	1300	-20 / +130°C	25

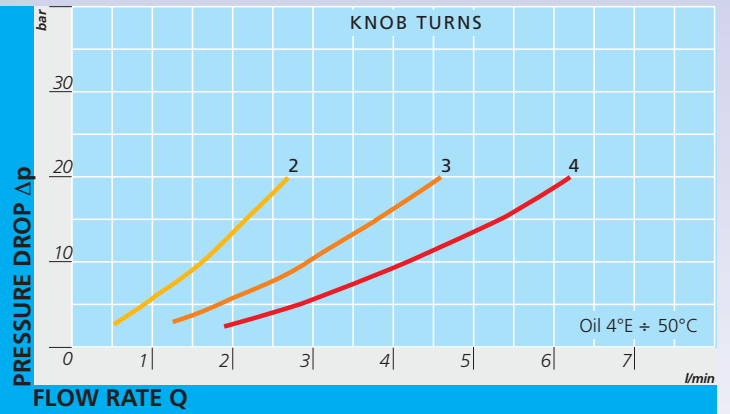




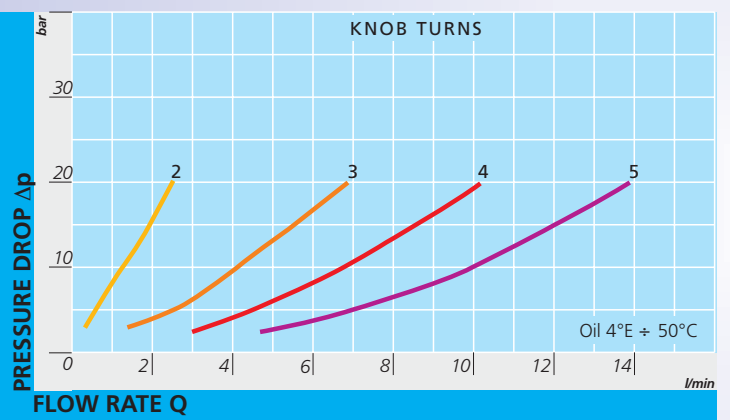
FT 2257/5



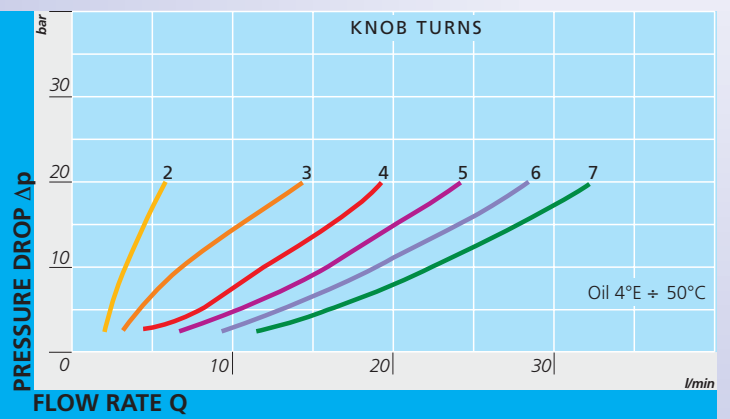
FT 2257/5-18



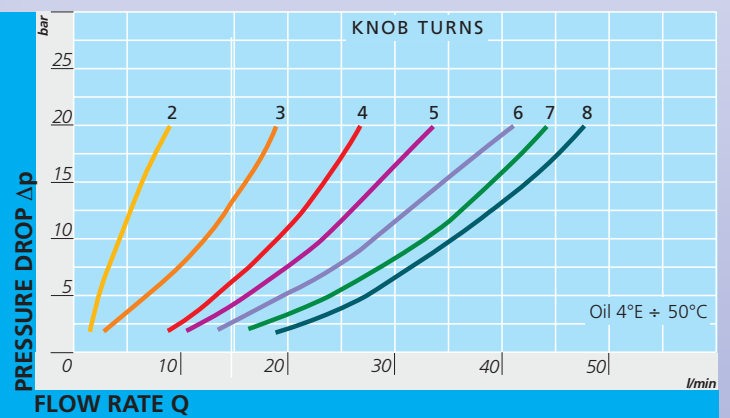
FT 257/5-14



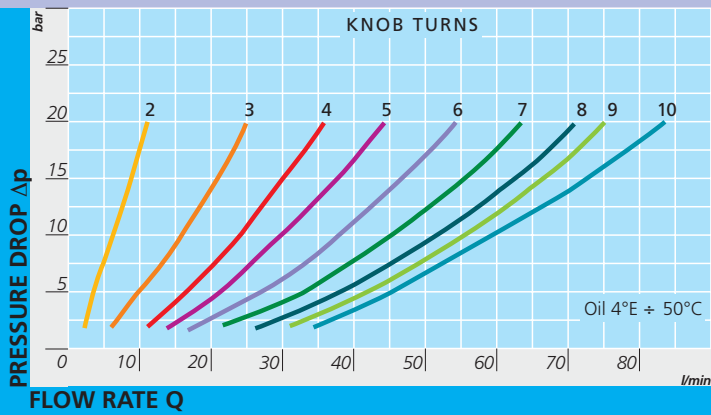
FT 257/5 - 38



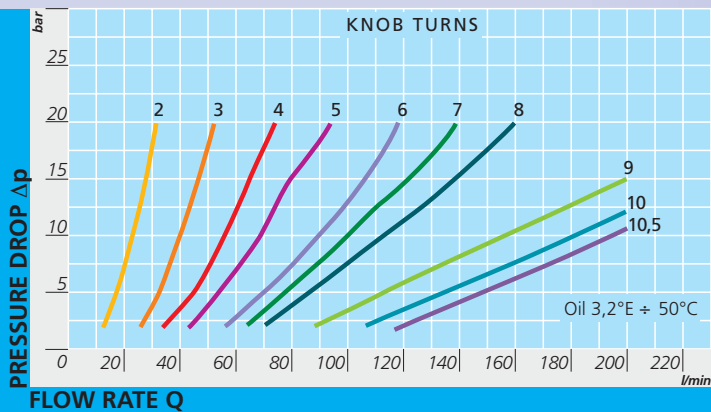
FT 2257/5 - 12



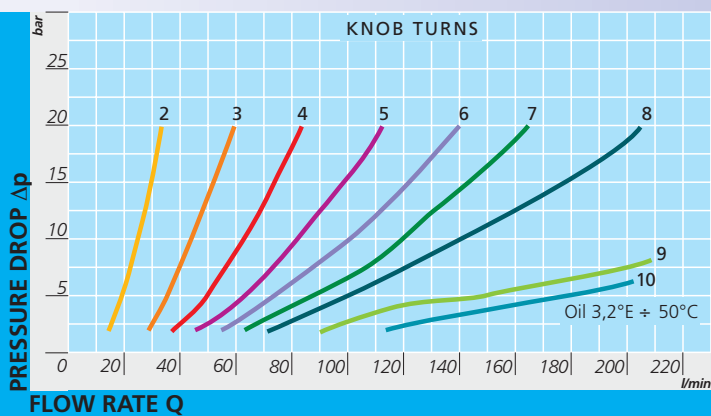
FT 2257/5 -34



FT 2257/5 -114



FT 257/5 -112



FT 2257/5 -200

