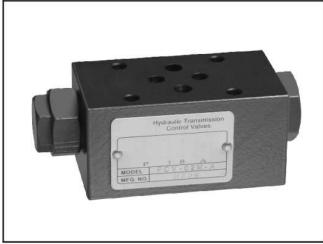


MPCV Modular Pilot Operated Check Valve



The valve can come true single flow of fluid. For reverse, it's closed of without leaking. Control plunger can push out check valve and come true converse flow. The valve usually be used to carry out to protect pressure of component for oil vat.

Max. Pressure 21MPa
Max. Flow :
Size 02 up to 35L/min
Size 03 up to 70L/min

Ordering details

MPCV	-02	-A	-05
Sort	Size	Port number	Cracking pressure
MPCV: Modular pilot operated check valves	02	A: A port B: B port W: A、B port	05: 0.035MPa
	03		50: 0.35MPa

Symbols

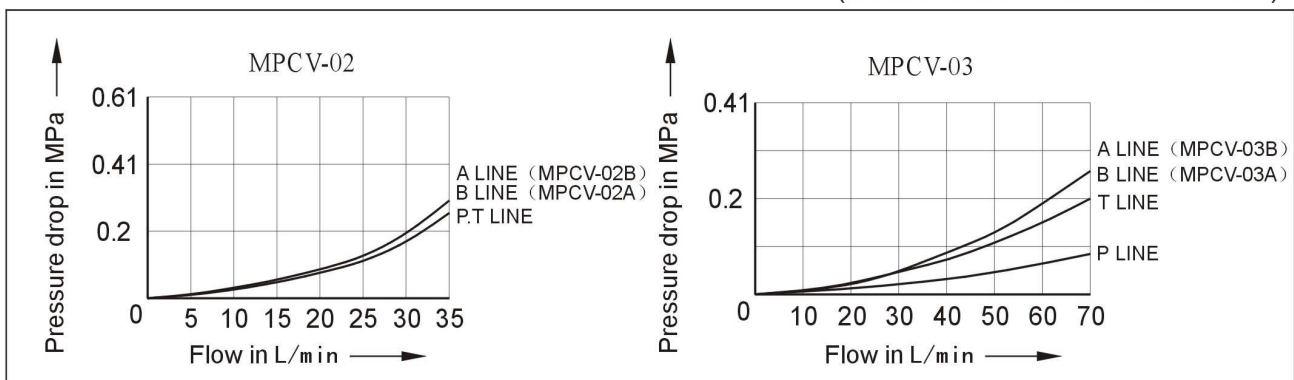
Type	MPCV-※-A	MPCV-※-B	MPCV-※-W
Symbols			

Technical data

Type	Max.pressure MPa	Max.flow L/min	Weight Kg
MPCV-02	21	35	1.1
MPCV-03		70	2.8

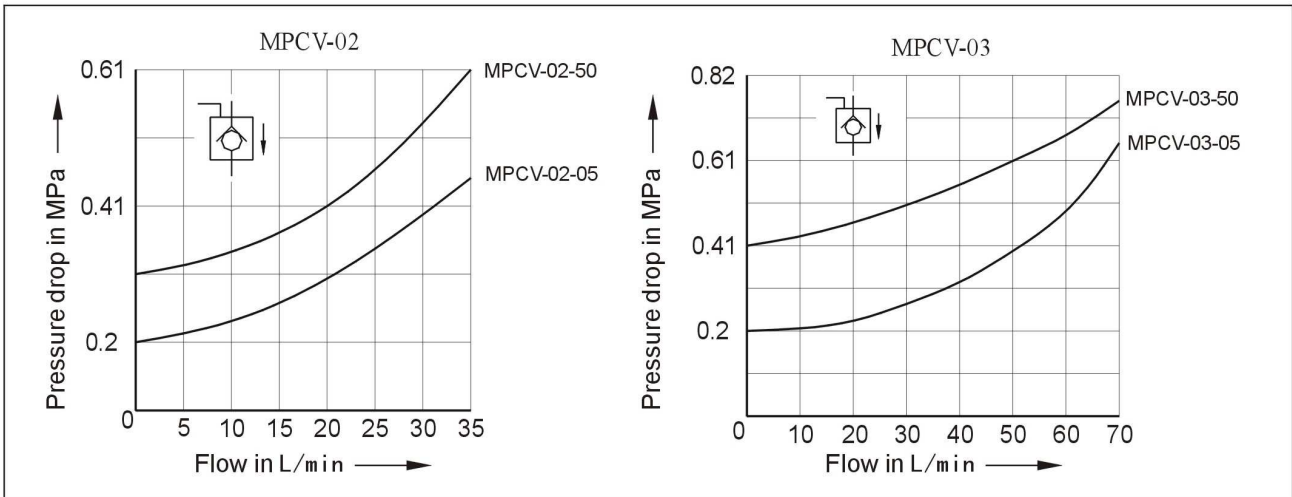
Characteristic Curves : Pressure drop

(measured at $v=35\text{mm}^2/\text{s}$ and $t=50^\circ\text{C}$)



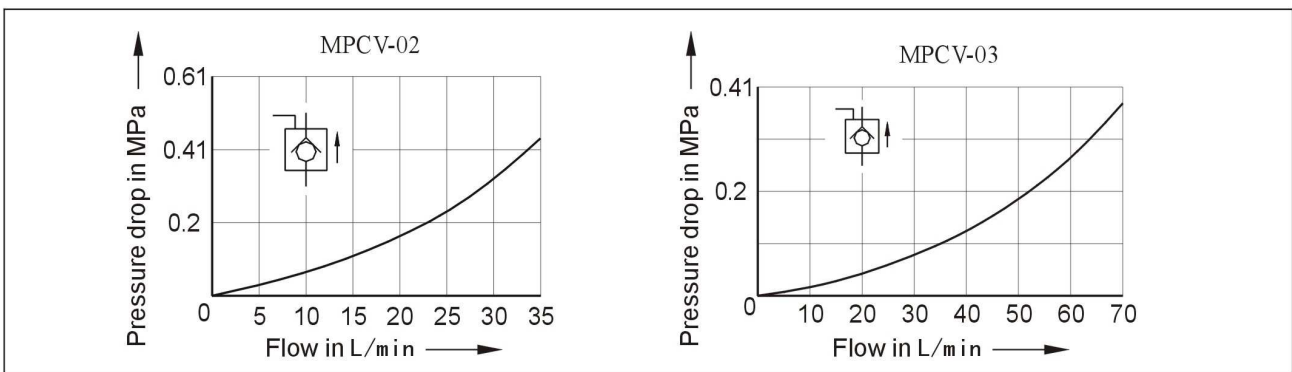
Characteristic Curves : Pressure drop free flow

(measured at $v=35\text{mm}^2/\text{s}$ and $t=50^\circ\text{C}$)



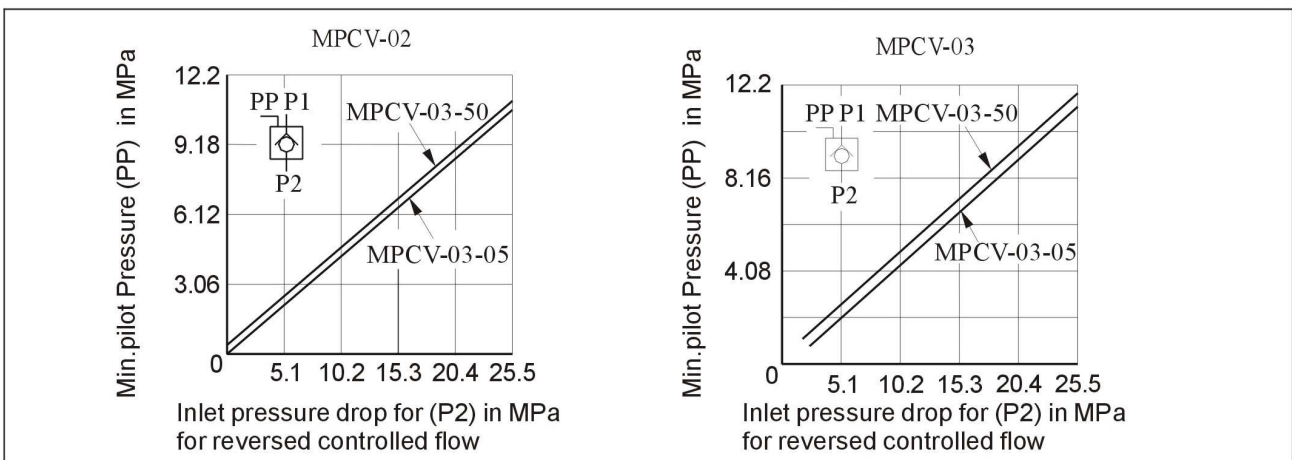
Characteristic Curves : Pressure drop for reverse controlled flow

(measured at $v=35\text{mm}^2/\text{s}$ and $t=50^\circ\text{C}$)

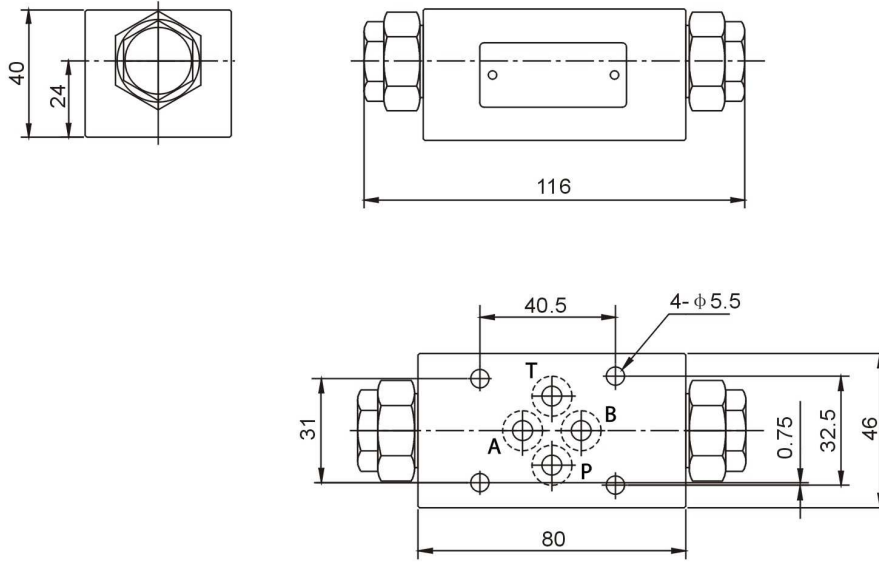


Characteristic Curves : Pressure drop free flow

(measured at $v=35\text{mm}^2/\text{s}$ and $t=50^\circ\text{C}$)



● MPCV-02



● MPCV-03

