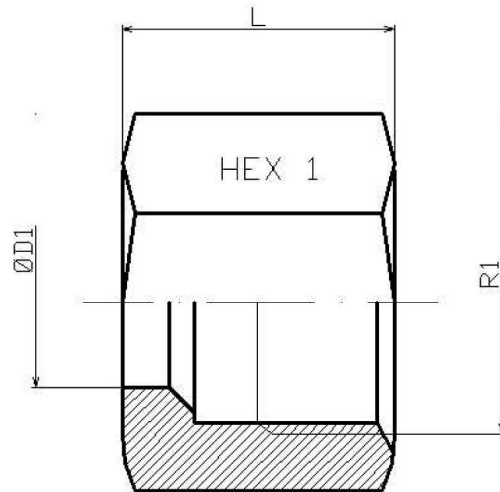


DIN 2353 Pipe fittings
Nuts and cutting rings

Nuts DIN 3870

Stainless Steel AISI 316-L



| Part nº | ØD1 | Serie | R1 | Working Pressure (bar) | L | HEX 1 |
|----------------|-----|-------|---------|------------------------|------|-------|
| Z MLL 4 | 4 | LL | M8X1 | 100 | 11 | 10 |
| Z MLL 6 | 6 | LL | M10X1 | 100 | 11,5 | 12 |
| Z MLL 8 | 8 | LL | M12X1 | 100 | 12 | 14 |
| Z ML 6 | 6 | L | M12X1.5 | 315 | 14,5 | 14 |
| Z ML 8 | 8 | L | M14X1.5 | 315 | 14,5 | 17 |
| Z ML 10 | 10 | L | M16X1.5 | 315 | 15,5 | 19 |
| Z ML 12 | 12 | L | M18X1.5 | 315 | 15,5 | 22 |
| Z ML 15 | 15 | L | M22X1.5 | 315 | 17 | 27 |
| Z ML 18 | 18 | L | M26X1.5 | 315 | 18 | 32 |
| Z ML 22 | 22 | L | M30X2 | 160 | 20 | 36 |
| Z ML 28 | 28 | L | M36X2 | 160 | 21 | 41 |
| Z ML 35 | 35 | L | M45X2 | 160 | 24 | 50 |
| Z ML 42 | 42 | L | M52X2 | 160 | 24 | 60 |
| Z MS 6 | 6 | S | M14X1.5 | 630 | 16,5 | 17 |
| Z MS 8 | 8 | S | M16X1.5 | 630 | 16,5 | 19 |
| Z MS 10 | 10 | S | M18X1.5 | 630 | 17,5 | 22 |
| Z MS 12 | 12 | S | M20X1.5 | 630 | 17,5 | 24 |
| Z MS 14 | 14 | S | M22X1.5 | 630 | 20,5 | 27 |
| Z MS 16 | 16 | S | M24X1.5 | 400 | 20,5 | 30 |
| Z MS 20 | 20 | S | M30X2 | 400 | 24 | 36 |
| Z MS 25 | 25 | S | M36X2 | 400 | 27 | 46 |
| Z MS 30 | 30 | S | M42X2 | 400 | 29 | 50 |
| Z MS 38 | 38 | S | M52X2 | 315 | 32,5 | 60 |