

LCP - LCC series

Visual oil level indicators



LCP GENERAL INFORMATION

Technical data

Visual oil level indicators

LCP is a range of plastic compact fluid level indicators, usually called spy eyes, for monitoring of the fluid level into the tank. They are directly fitted on the tank side.

Housings made of polyamide or steel can be selected, to meet every condition.

Available features:

- Male threaded connections up to G 2"
- Baffle, to allow an easy monitoring of the level
- Expansion kit, for reliable sealing even in tanks with thin walls

Common applications:

- Hydraulic systems
- Mobile machines
- Industrial equipment

T Series

Weight

LCPG13	1 g
LCPG16	2 g
LCPG20	4 g
LCPG26	8 g
LCPG33	10 g
LCPG42	12 g

Materials

- Body: Polyamide
- Contrast screen: Nylon
- Seals: NBR

M Series

Weight

LCPG20	6 g
LCPG26	9 g
LCPG33	13 g

Materials

- Body: Aluminium
- Lens: Thermoplastic
- Contrast screen: Nylon
- Seals: Inorganic fibre

N Series

Weight

LCPG13	2 g
LCPG16	4 g
LCPG20	7 g
LCPG26	9 g
LCPG30	12 g
LCPG33	18 g
LCPG42	25 g
LCPG48	48 g
LCPG60	59 g

Materials

- Body: Nylon
- Lens: Thermoplastic
- Contrast screen: Nylon
- Seals: Inorganic fibre, NBR
- Expansion kit: Brass, NBR

Temperature

From -20 °C to + 80 °C

Quantity

25 pcs/pack



Designation & Ordering code

LCP

Series and size

LCP

Configuration example 1 : LCP G26 N S B S P01

Configuration example 2 : LCP G42 T S A P01

Configuration example 3 : LCP G20 M C A P01

Connections to the tank

Material:	N	T	M
G13 Thread G 1/4"	•	•	
G16 Thread G 3/8"	•	•	
G20 Thread G 1/2"	•	•	•
G26 Thread G 3/4"	•	•	•
G33 Thread G 1"	•	•	•
G42 Thread G 1 1/4"	•	•	
G48 Thread G 1 1/2"	•		
G60 Thread G 2"	•		

Material

N Black nylon **T** Transparent polyamide **M** Metal (aluminium)

Baffle

Material:	N								T				M		
Connection:	G13	G16	G20	G26	G33	G42	G48	G60	G13	G16	G20	G26	G33	G42	M
S Without	•	•	•	•	•	•	•	•	•	•	•	•	•	•	
C With baffle		•	•	•	•	•	•	•			•	•	•	•	

Seals

Material:	N		T		M
Expansion kit:	S	K			
A NBR		•		•	•
B Inorganic fiber	•				

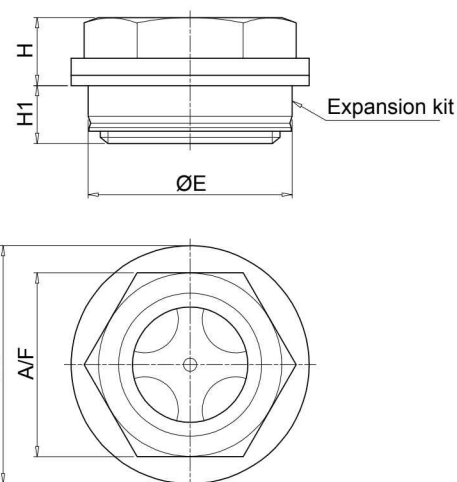
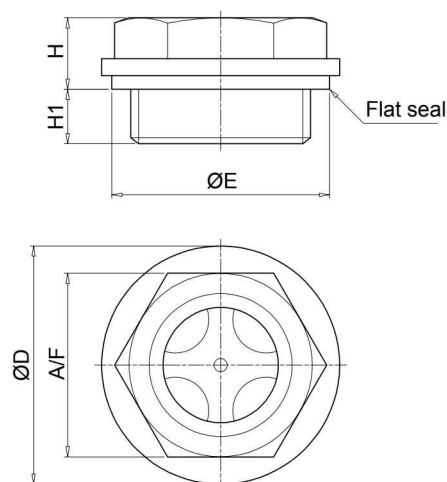
Expansion kit

Material:	N								T				M		
Connection:	G13	G16	G20	G26	G33	G42	G48	G60	G13	G16	G20	G26	G33	G42	M
S Without	•	•	•	•	•	•	•	•							
K With expansion kit			•	•	•	•	•	•							

Execution

P01 MP Filtri standard
Pxx Customized

LCP - N



without expansion kit

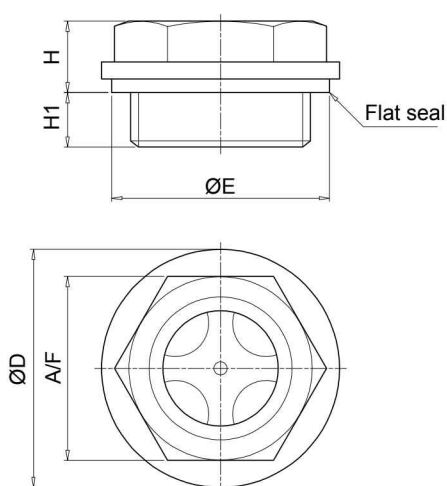
Connection	ØD [mm]	ØE [mm]	A/F [mm]	H [mm]	H1 [mm]
G13	20	18.5	17	9	7
G16	22	21.5	18	10	7
G20	28	26	22	10	7
G26	35	32	27	10.5	8
G33	42	41	34	13.5	10.5
G42	52	51	42	14	11
G48	58	53.5	47	16	11
G60	74	72	64	16	18

with expansion kit

Connection	ØD [mm]	ØE [mm]	A/F [mm]	H [mm]	H1 [mm]
G20	28	26	22	9	8
G26	35	30	27	10	8.5
G33	42	40	34	13	11
G42	52	50	42	13.5	11.5
G48	58	55	47	15.5	11.5

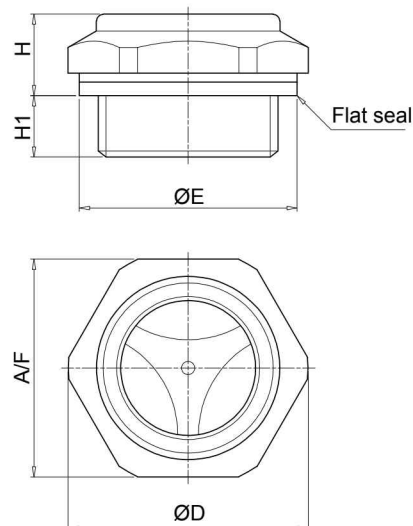
Note: for installation onto OB Cleaning covers see page 147

LCP - T



Connection	ØD [mm]	ØE [mm]	A/F [mm]	H [mm]	H1 [mm]
G13	20	18.5	15	6.5	5
G16	22	21.5	17	7	5.5
G20	28	26	21	8	6
G26	33	32	26	8.5	7
G33	41	41	32	9	8
G42	52	51	42	14	11

LCP - M



Connection	ØD [mm]	ØE [mm]	A/F [mm]	H [mm]	H1 [mm]
G20	29.5	26	27	11	7
G26	35.5	32	32	12	9
G33	44.5	41	40	13	8

Note: for installation onto OB Cleaning covers see page 147