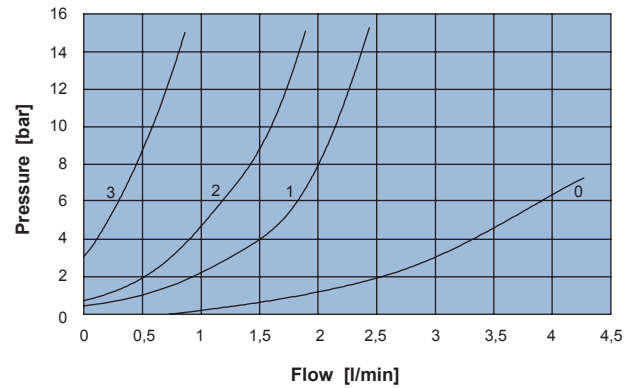
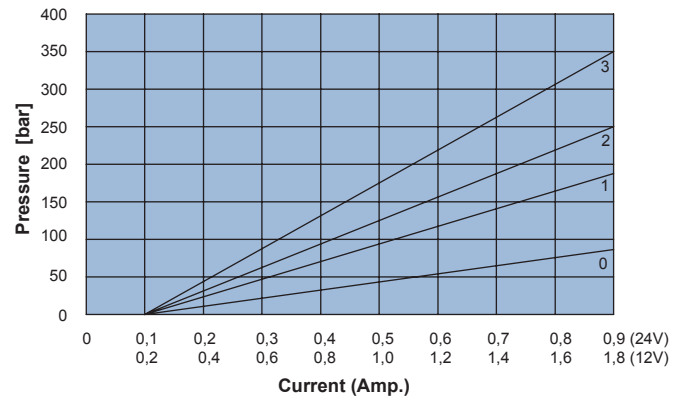
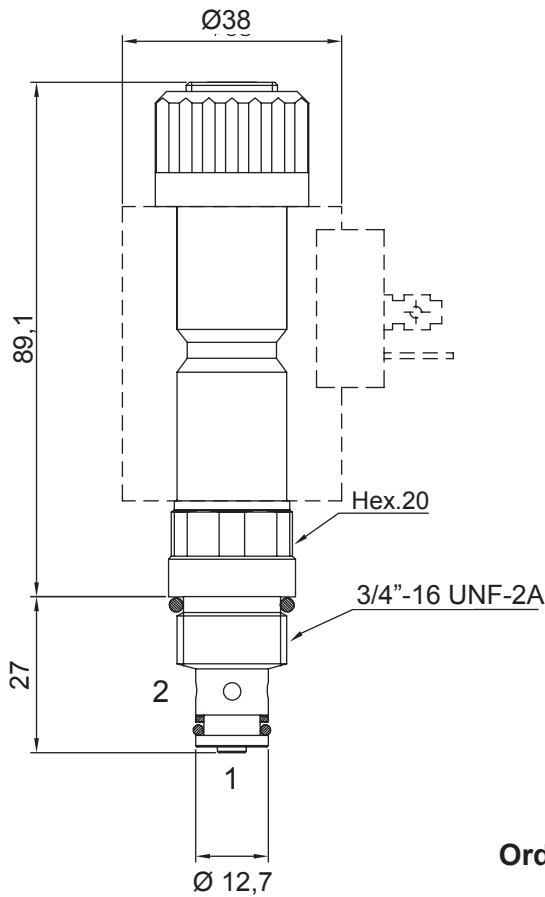
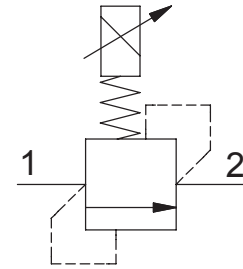


ELECTRO-PROPORTIONAL PRESSURE RELIEF VALVE, DIRECT ACTING

- Flow **2 l/min**
- Max working pressure in 1. **350 bar**
- Max working pressure in 2. **20 bar**
- Seals **NBR and PTFE**
- Max current at 12 Vcc **1800mA**
- Max current at 24 Vcc **900mA**
- PWM **120 Hz**
- Hysteresis. **5%**
- Cartridge tightening torque **30 Nm**
- Ring nut tightening torque **4 Nm**
- Weight (with coil). **0,46 Kg**
- Cavity **C220000** page **208**
- Body. **171202** page **186**
- Coil (to be ordered separately) **09800** page **180**



Ordering code

00520 0 00

SETTING RANGE	0	1	2	3
Min - Max [bar]	10 ÷ 80	30 ÷ 150	40 ÷ 250	70 ÷ 350

