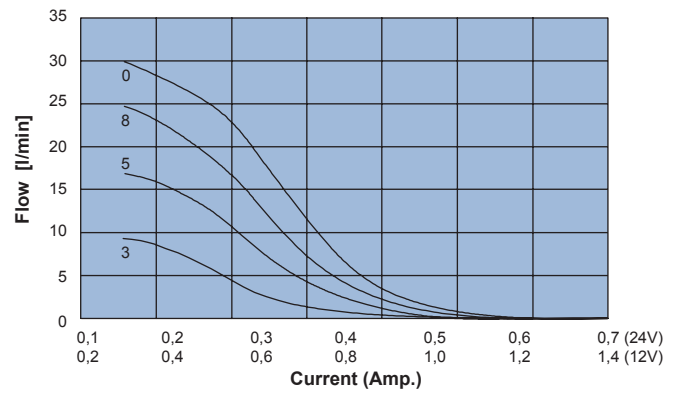
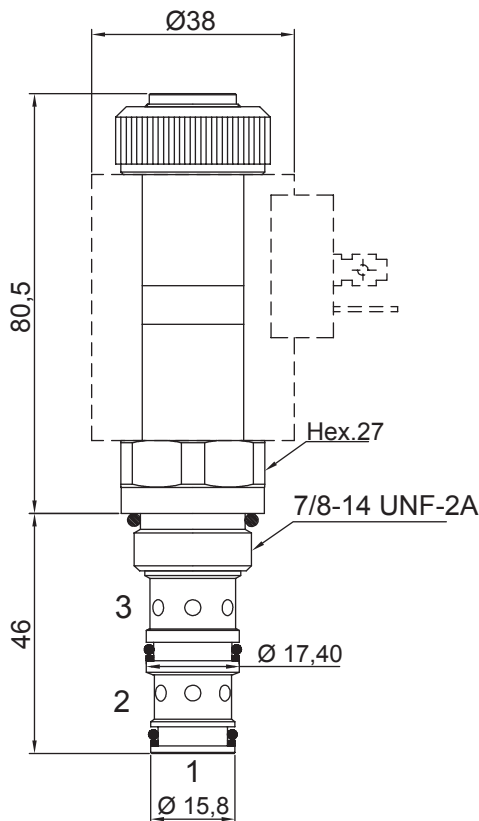
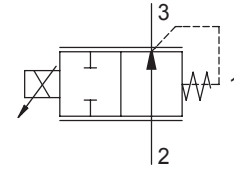
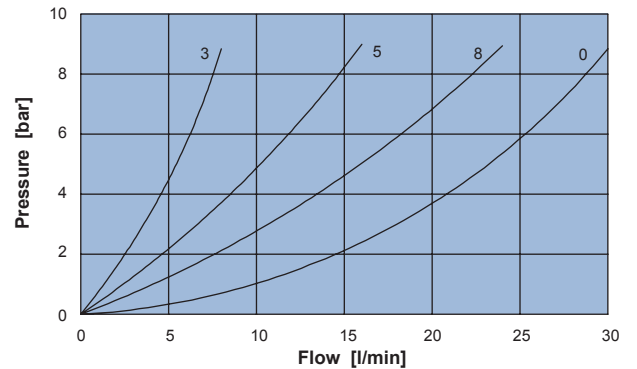


### 3 WAY NORMALLY OPEN SPOOL VALVE, ELECTRO-PROPORTIONAL FLOW CONTROL

- Flow ..... **30 l/min**
- Max working pressure in 1:2:3. .... **350 bar**
- Application limits with  $\Delta p$  max from 2 to 3. .... **15 bar**
- Leakage ..... **150 cc/min**
- Seals ..... **NBR and PTFE**
- Max current at 12 Vcc ..... **1800mA**
- Max current at 24 Vcc ..... **900mA**
- PWM ..... **120 Hz**
- Hysteresis. .... **5%**
- Cartridge tightening torque ..... **40 Nm**
- Ring nut tightening torque ..... **4 Nm**
- Weight (with coil). .... **0,56 Kg**
- Cavity ..... **C330000** page 220
- Body. .... **171312** page 192
- Coil (to be ordered separately) ..... **09800** page 180



Graph flow/current with  $\Delta p$  from 2 to 3 of 7 bar



Pressure drop with de-energized coil

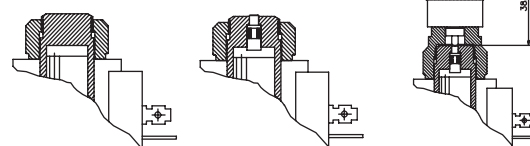
#### Ordering code

0 3 5 3 4  0  0 1



100% Q.max 30% Q.max 50% Q.max 80% Q.max

#### Flow range



No emergency

Push pin

Handknob

