

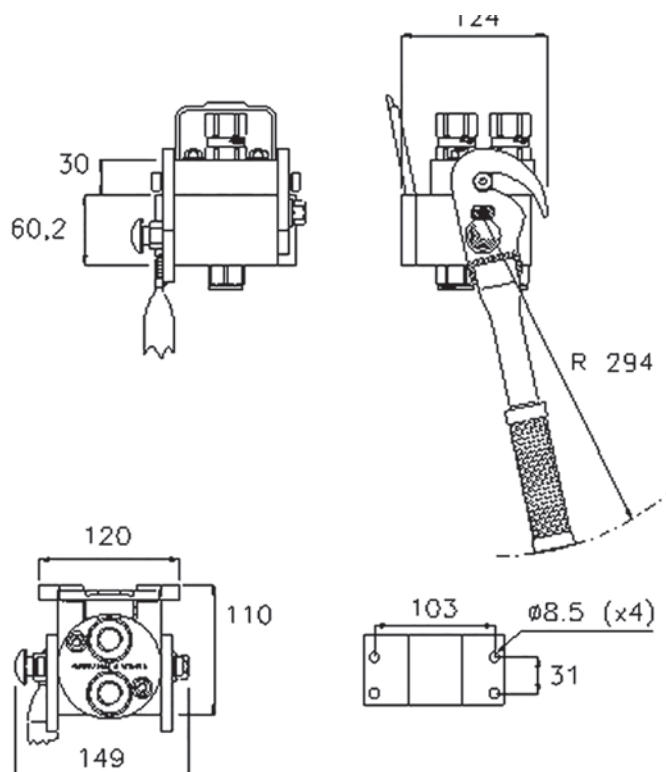


MF P208

MultiFaster 2 lines, size 08.

MultiFaster suitable for 2 lines size 08. Very compact design.

Applications



Technical Specifications

dash	Size		Working Pressure (MPa)	Flow Rate (l/min)	Spillage (ml)	Burst pressure (MPa)		
	mm	inch				Male	Female	Male + Female
08	12.5	1/2"	25	70	0.01	100	100	100

Material	Aluminium; Steel
Seals	NBR; PUR
Working temperatures	- 25 °C to + 100 °C
Surface treatment	MATE 500 (CrIII); Paint

Valve Type	Flat
Connection	Lever
Disconnection	Lever
Connection Under Pressure	Allowed Residual



P208

Size					Thread Type					FIXED
dash	mm	inch	Housing	Number of Couplings	Thread Type	Standard	Thread	Electrical Connector N	Connector Type	Part Number
08	12.5	1/2"	2	2	O/ SAE	ISO 11926-1	1 - 1/16" - 12 UN FEMALE ORB			2P208-2-34S F C
08	12.5	1/2"	2	2	F BSPP	ISO 1179-1	BSPP 3/4" FEMALE			2P208-2-34G F C
08	12.5	1/2"	2	2	O2/ METRIC	ISO 8434-1-L	M22x1.5 MALE 15L			2P208-2-2/22F C
08	12.5	1/2"	2	2	O/ SAE	ISO 11926-1	3/4" - 16 UNF FEMALE ORB			2P208-2-12S F C
08	12.5	1/2"	2	2	F NPTF	ANSI B1.20.3	NPTF 1/2" FEMALE			2P208-2-12N F C
08	12.5	1/2"	2	2	F BSPP	ISO 1179-1	BSPP 1/2" FEMALE			3P208-2-12G F C
08	12.5	1/2"	2	2	F BSPP	ISO 1179-1	BSPP 1/2" FEMALE			2P208-2-12G F C

Size					Thread Type					MOBILE
dash	mm	inch	Housing	Number of Couplings	Thread Type	Standard	Thread	Electrical Connector N	Connector Type	Part Number
08	12.5	1/2"	2	2	O/ SAE	ISO 11926-1	1-1/16"-12 UN FEMALE ORB			3P208-2-34S M C
08	12.5	1/2"	2	2	F BSPP	ISO 1179-1	BSPP 3/4" FEMALE			3P208-2-34G M C
08	12.5	1/2"	2	2	O/ SAE	ISO 11926-1	1 - 1/16" - 12 UN FEMALE ORB			2P208-2-34S M C
08	12.5	1/2"	2	2	F BSPP	ISO 1179-1	BSPP 3/4" FEMALE			2P208-2-34G M C
08	12.5	1/2"	2	2	O2/ METRIC	ISO 8434-1-L	M22x1.5 MALE 15L			2P208-2-2/22M C
08	12.5	1/2"	2	2	O/ SAE	ISO 11926-1	3/4" - 16 UNF FEMALE ORB			2P208-2-12S M C
08	12.5	1/2"	2	2	F NPTF	ANSI B1.20.3	NPTF 1/2" FEMALE			2P208-2-12N M C
08	12.5	1/2"	2	2	F BSPP	ISO 1179-1	BSPP 1/2" FEMALE			3P208-2-12G M C
08	12.5	1/2"	2	2	F BSPP	ISO 1179-1	BSPP 1/2" FEMALE			2P208-2-12G M C

Spare Parts & Accessories

Female Half				Male Half					
Plates	Lever	Dust cover	Safety Lock	Plates	Seals male	Screws	Plugs	Guiding pins	Docking
KIT P208 F L	KIT LP208	KIT TA P2	KIT SP5 S	KIT P208 M	SK MF 12	KIT VP8	KIT TSP 38 M	KIT GP4	S P2

