



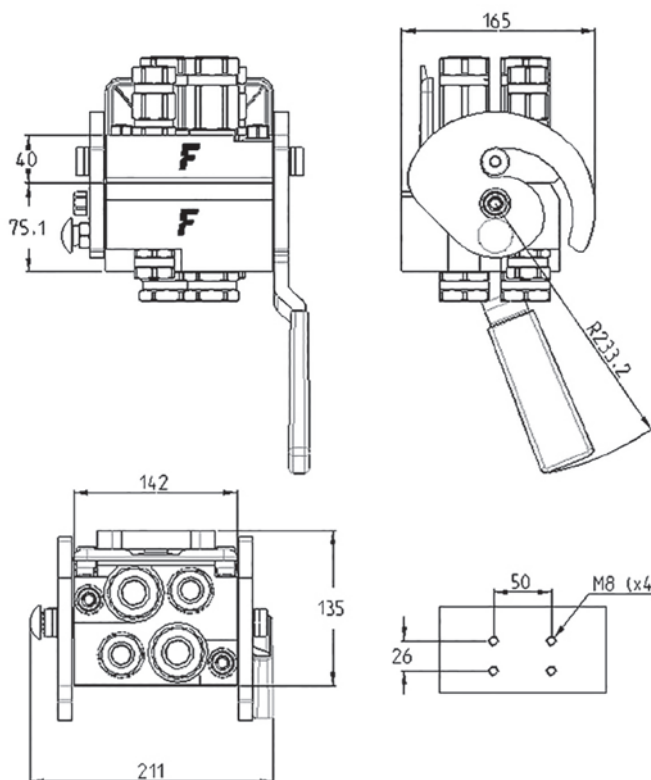
# MF PH510S

**MultiFaster, high pressure version, 2 lines size 08, 2 lines size 12.**

New multi-connection system specifically designed to withstand high pressure applications (42 MPa). Equipped with 2 lines size 08 and 2 lines size 12. Black cataphoresis plates with Zn-Ni plated carbon steel handle and cams or red paint plates with stainless steel handle and cams.



## Applications



## Technical Specifications

dash	Size mm	inch	Working Pressure (MPa)	Flow Rate (l/min)	Spillage (ml)	Burst pressure (MPa)		
						Male	Female	Male + Female
08	12.5	1/2"	46	60	0.01	138	138	138
12	20	3/4"	46	105	0.02	138	138	138

Material	<b>Aluminium; Stainless Steel</b>
Seals	<b>NBR; PUR</b>
Working temperatures	<b>- 25 °C to + 100 °C</b>
Surface treatment	<b>MATE 1000 (ZnNi); Paint</b>

Valve Type	<b>Flat</b>
Connection	<b>Lever</b>
Disconnection	<b>Lever</b>
Connection Under Pressure	<b>Allowed Residual</b>



# PH510S

Size					Thread Type					FIXED
dash	mm	inch	Housing	Number of Couplings	Thread Type	Standard	Thread	Electrical Connector N	Connector Type	Part Number
08	12.5	1/2"	4	2	F BSPP	ISO 1179-1	BSPP 1/2" FEMALE			PH510S-3-A F C
08	12.5	1/2"		1	F BSPP	ISO 1179-1	BSPP 1/2" FEMALE			PH510S-4-A F C
12	20	3/4"	4	2	F BSPP	ISO 1179-1	BSPP 3/4" FEMALE			PH510S-3-A F C
12	20	3/4"		2	F BSPP	ISO 1179-1	BSPP 3/4" FEMALE			PH510S-4-A F C
08	12.5	1/2"	4	2	F BSPP	ISO 1179-1	BSPP 1/2" FEMALE			PH510-4-A F C
12	20	3/4"		2	F BSPP	ISO 1179-1	BSPP 3/4" FEMALE			

Size					Thread Type					MOBILE
dash	mm	inch	Housing	Number of Couplings	Thread Type	Standard	Thread	Electrical Connector N	Connector Type	Part Number
08	12,5	1/2"	4	2	F BSPP	ISO 1179-1	BSPP 1/2" FEMALE			3PH510S-4-A M C
08	12,5	1/2"		2	F BSPP	ISO 1179-1	BSPP 1/2" FEMALE			3PH510S-4-B M C
08	12,5	1/2"	4	1	F BSPP	ISO 1179-1	BSPP 1/2" FEMALE			3PH510S-3-A M C
12	20	3/4"		2	F BSPP	ISO 1179-1	BSPP 3/4" FEMALE			3PH510S-4-A M C
12	20	3/4"	4	2	F BSPP	ISO 1179-1	BSPP 3/4" FEMALE			3PH510S-4-B M C
12	20	3/4"		2	F BSPP	ISO 1179-1	BSPP 3/4" FEMALE			3PH510S-3-A M C
08	12.5	1/2"	4	2	F BSPP	ISO 1179-1	BSPP 1/2" FEMALE			3PH510-4-A M C
12	20	3/4"		2	F BSPP	ISO 1179-1	BSPP 3/4" FEMALE			

## Spare Parts & Accessories

### PH510

Female Half				Male Half					
Plates	Lever	Dust cover	Safety Lock	Plates	Seals male	Screws	Plugs	Guiding pins	Docking
KIT PH510 F L		KIT TA PH510	KIT SP5 7	KIT PH510 M	SK MF 12	KIT VPH	KIT TSP 38 M	KIT GPH	
					SK MF 34		KIT TSP 34 M		

### PH510S

Female Half				Male Half					
Plates	Lever	Dust cover	Safety Lock	Plates	Seals male	Screws	Plugs	Guiding pins	Docking
		KIT TA PH510				KIT VPH			

