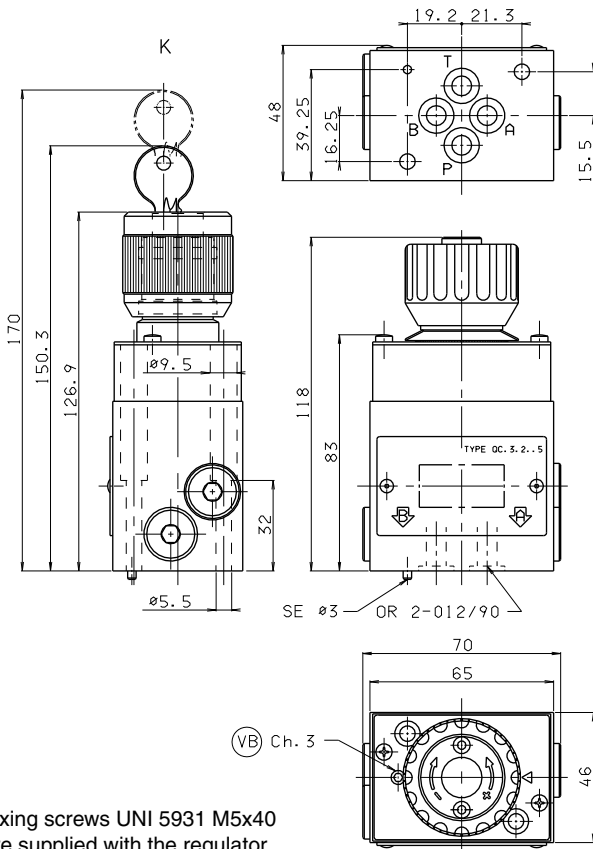


QC32... QC33... COMPENSATED FLOW RATE REGULATORS

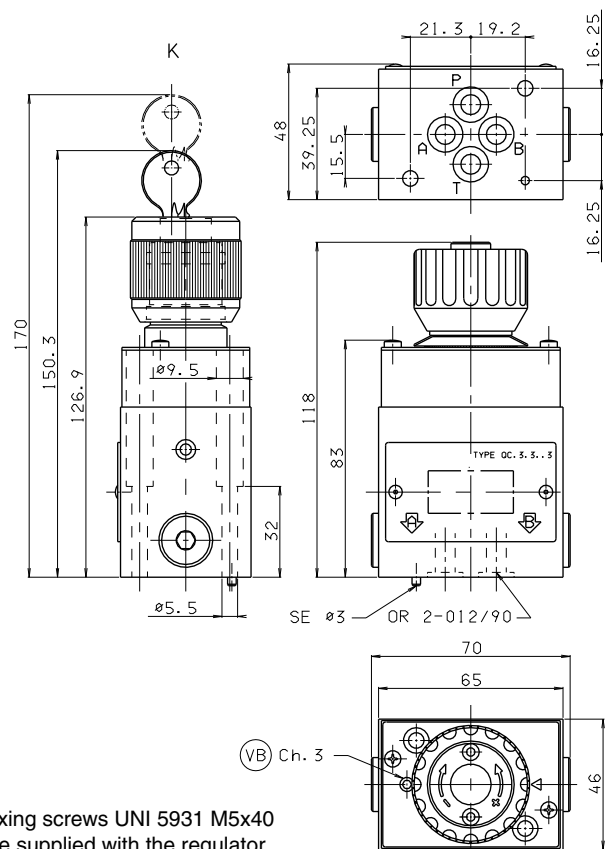
3

QC32... 2 WAY FLOW RATE REGULATOR



Fixing screws UNI 5931 M5x40 are supplied with the regulator, material specifications min. 12.9
Tightening torque 6.5÷7 Nm / 0.65÷0.70 Kgm

QC33... 3 WAY FLOW RATE REGULATOR



Fixing screws UNI 5931 M5x40 are supplied with the regulator, material specifications min. 12.9
Tightening torque 6.5÷7 Nm / 0.65÷0.70 Kgm

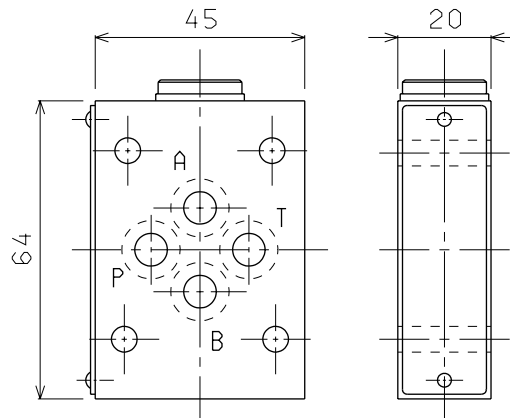
AM3ABU... CHECK VALVE HOLDER FOR REGULATORS TYPE QC3...



This check valve holder must be fitted underneath the QC valve when the reverse flow function is needed.

ORDERING CODE

AM	Modulating valve
3	CETOP 3/NG06
ABU	External check valve for QC3*.
3	For 2 way and 3 way
00	No variant
1	Serial No.



Weight: 0,4 Kg
Fixing screws for regulator and modular check valve M5x60 UNI 5931 - 12.9 K