

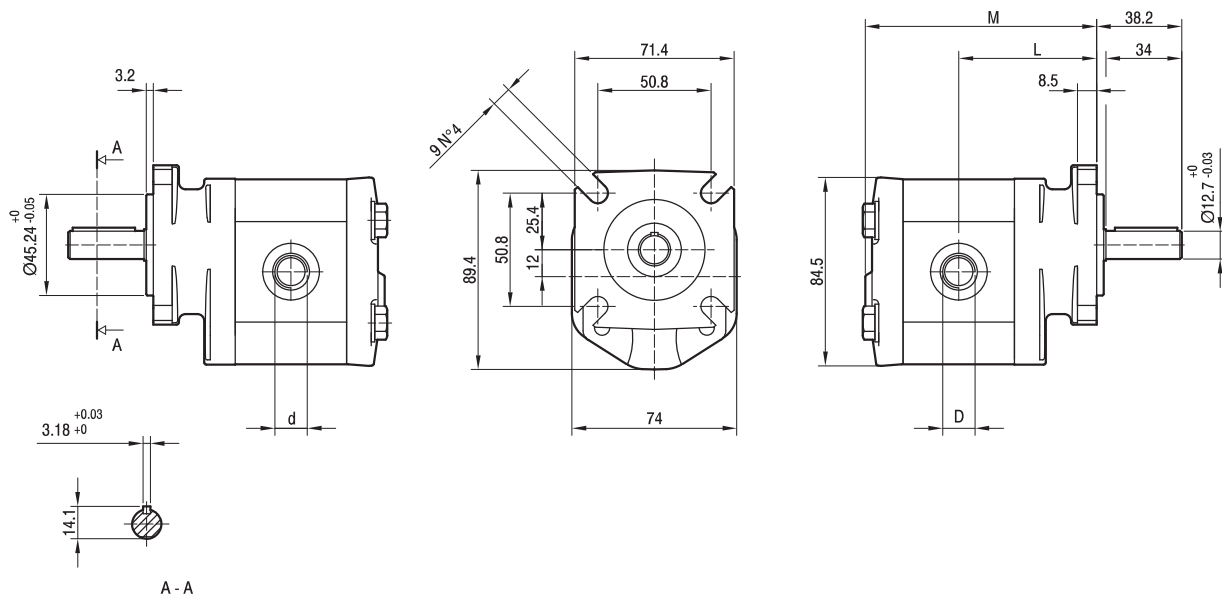
GHP1AQ

Parti accessorie a corredo della pompa standard: linguetta (codice 522223).
 Le porte standard "D" e "d" sono lavorate secondo la specifica SAE J1926/1 (ISO 11926-1) relativa a porte filettate con tenuta O-ring.

Accessories supplied with the standard pump: key (code 522223).
 "D" and "d" standard ports are machined in compliance with threaded port with O-ring seal in truncated housing SAE J1926/1 (ISO 11926-1).

MANDATA
 OUTLET

ASPIRAZIONE
 INLET



TIPO TYPE	CILINDRATA DISPLACEMENT	PORTATA a 1500 giri/min FLOW at 1500 rev/min	PRESSIONI MASSIME MAX PRESSURE			VELOCITÀ MASSIMA MAX SPEED	DIMENSIONI DIMENSIONS			
			P ₁	P ₂	P ₃		L	M	d	D
	cm ³ /giro [cm ³ /rev]	litri/min [litres/min]	bar	bar	bar	giri/min [rpm]	mm	mm		
GHP1AQ-D-2	1,4	2,0	270	290	310	6000	59	98	9/16-18 UNF	3/4-16 UNF
GHP1AQ-D-3	2,1	2,9	270	290	310	6000	60	100	9/16-18 UNF	3/4-16 UNF
GHP1AQ-D-4	2,8	3,9	270	290	310	5000	61	102	9/16-18 UNF	3/4-16 UNF
GHP1AQ-D-5	3,5	4,9	270	290	310	5000	62	104	9/16-18 UNF	3/4-16 UNF
GHP1AQ-D-6	4,1	5,9	270	290	310	4000	63	106	9/16-18 UNF	3/4-16 UNF
GHP1AQ-D-7	5,2	7,4	260	275	290	3500	64,5	109	9/16-18 UNF	3/4-16 UNF
GHP1AQ-D-9	6,2	8,8	260	275	290	3000	66	112	9/16-18 UNF	3/4-16 UNF
GHP1AQ-D-11	7,6	10,8	230	245	260	3500	68	116	3/4-16 UNF	7/8-14 UNF
GHP1AQ-D-13	9,3	13,3	210	225	240	3000	70,5	121	3/4-16 UNF	7/8-14 UNF
GHP1AQ-D-16	11,0	15,7	200	215	230	2500	73	126	3/4-16 UNF	7/8-14 UNF
GHP1AQ-D-20	13,8	19,7	180	195	210	2000	77	134	3/4-16 UNF	7/8-14 UNF