

FRI FRI100 - FRI250 - FRI630

Designation & Ordering code

COMPLETE FILTER

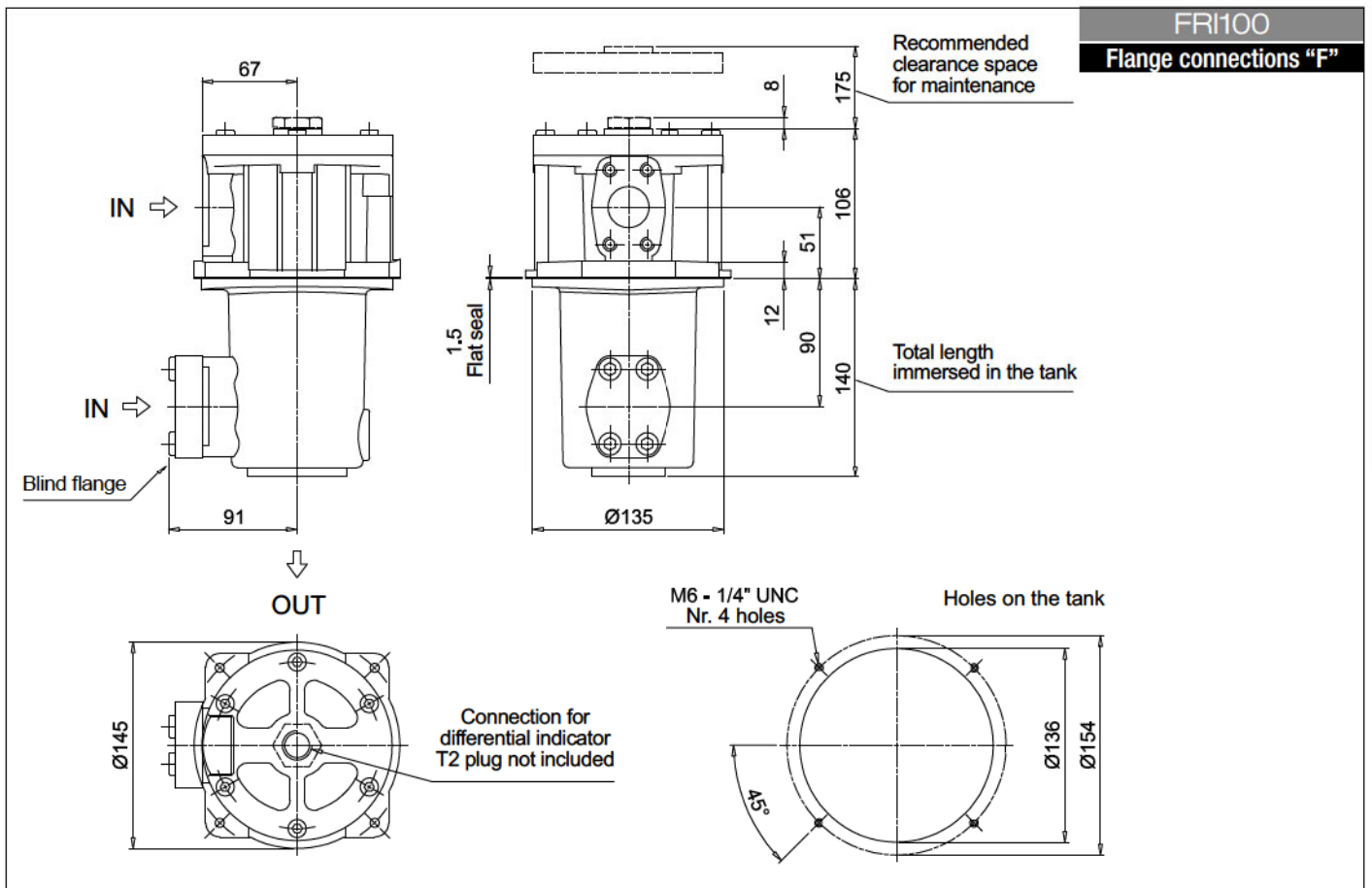
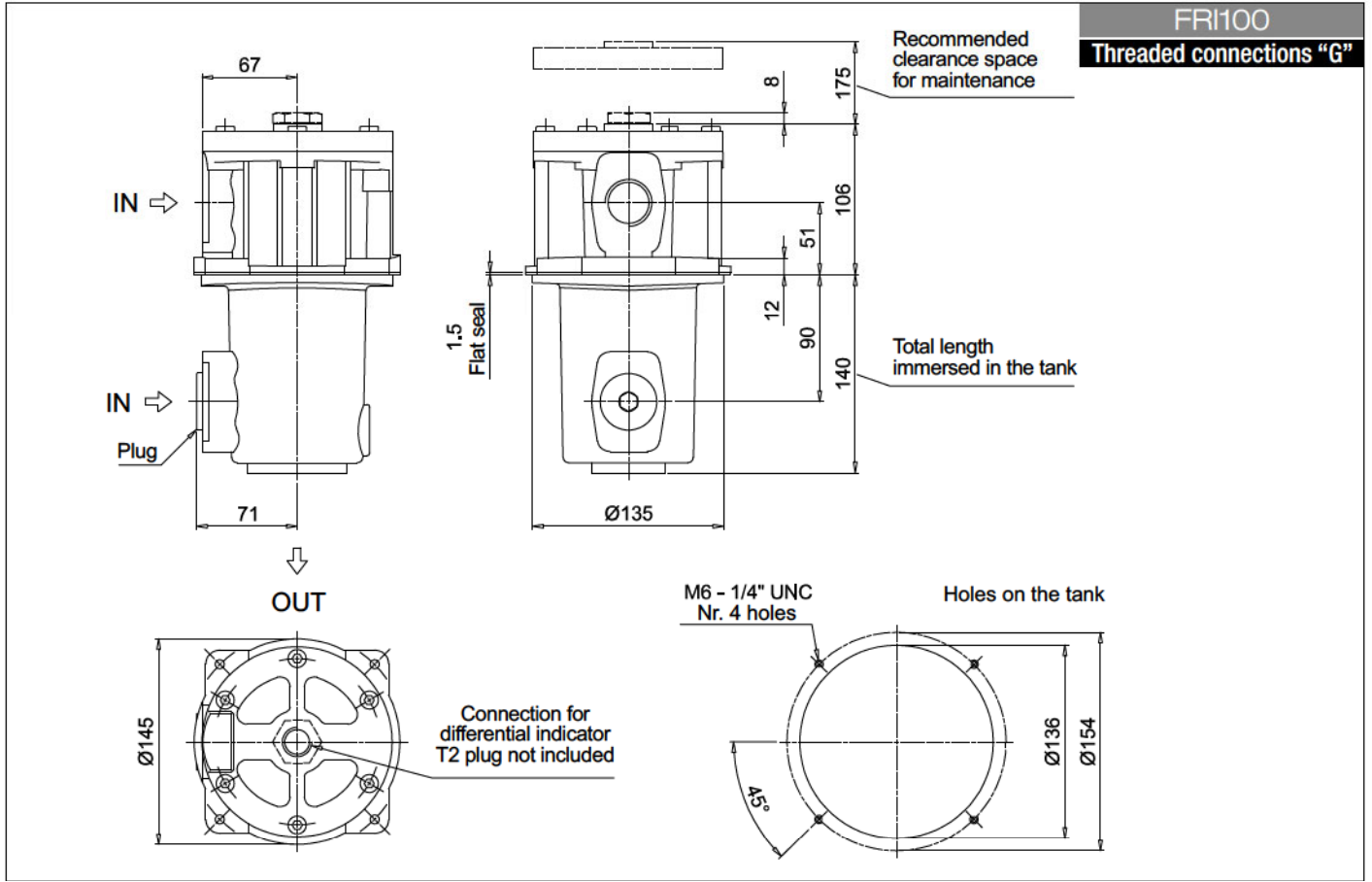
Series and size	Configuration example 1: FRI100 B A G1 A25 N P01						
FRI100	Configuration example 2: FRI630 S W F2 M25 N P01						
FRI250							
FRI630							
Bypass valve							
B With bypass							
S Without bypass							
Seals and treatments	Filtration rating						
A NBR	Axx	Mxx	Pxx				
V FPM	•	•	•				
W NBR head anodized	•	•		filter element compatible with fluids HFA-HFB-HFC			
Z FPM head anodized	•	•					
Connections for FRI100	Connections for FRI250	Connections for FRI630					
G1 G 1"	G1 1 1/2"	G2 2 1/2"					
G2 1" NPT	G2 1 1/2" NPT	G3 SAE 32 - 2 1/2" - 12 UN					
G3 SAE 16 - 1 5/16" - 12 UN	G3 SAE 24 - 1 7/8" - 12 UN	F1 1" SAE 3000 psi/M					
F1 1" SAE 3000 psi/M	F1 1 1/2" SAE 3000 psi/M	F2 1" SAE 3000 psi/UNC					
F2 1" SAE 3000 psi/UNC	F2 1 1/2" SAE 3000 psi/UNC	F2 2 1/2" SAE 3000 psi/UNC					
Filtration rating (filter media)							
A03 Inorganic microfiber 3 µm	M25 Wire mesh 25 µm						
A06 Inorganic microfiber 6 µm	M60 Wire mesh 60 µm						
A10 Inorganic microfiber 10 µm	M90 Wire mesh 90 µm						
A16 Inorganic microfiber 16 µm	P10 Resin impregnated paper 10 µm						
A25 Inorganic microfiber 25 µm	P25 Resin impregnated paper 25 µm						
				Element Δp	Execution		
				N 10 bar	P01 MP Filtri standard		
					Pxx Customized		

FILTER ELEMENT

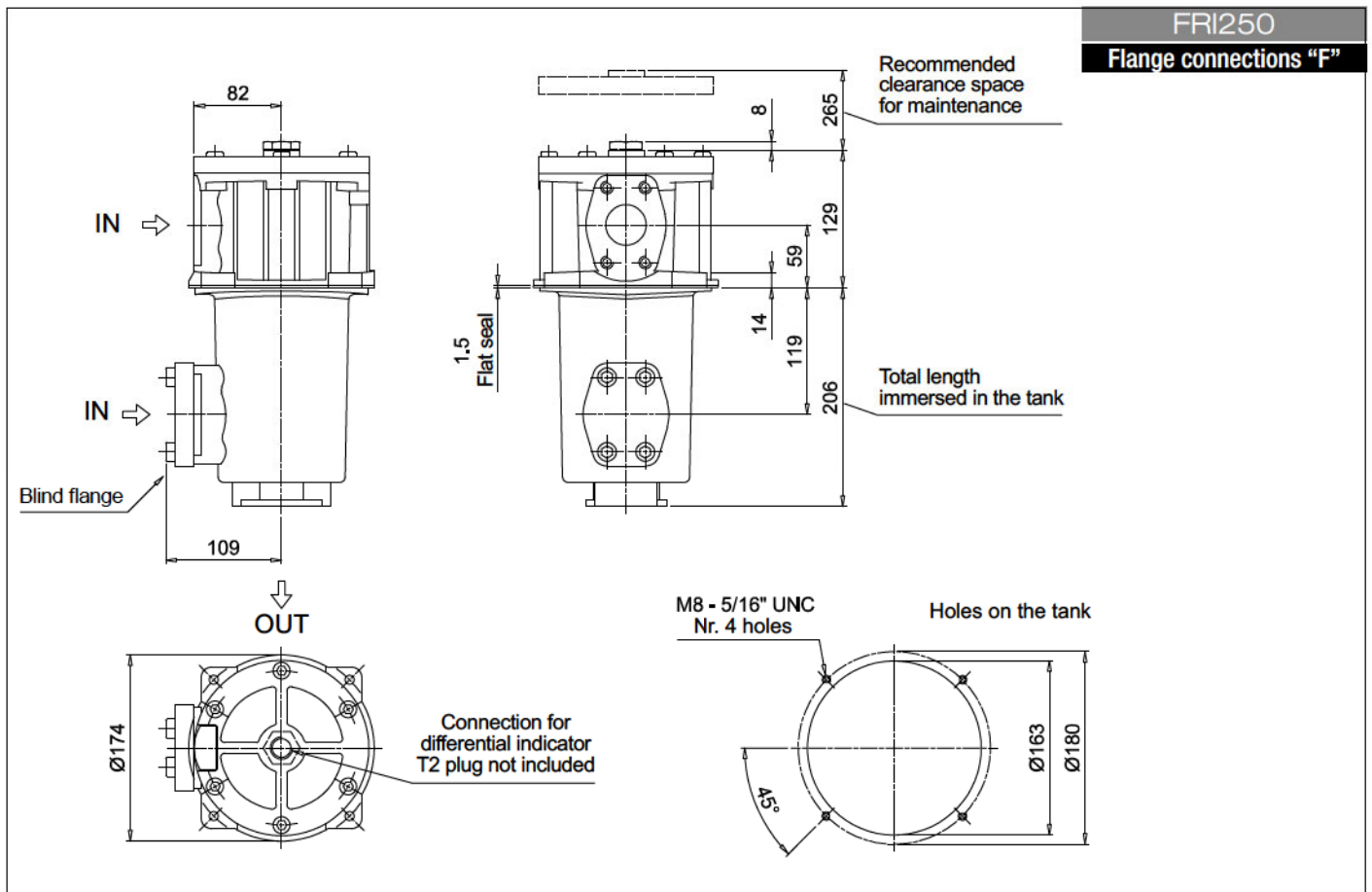
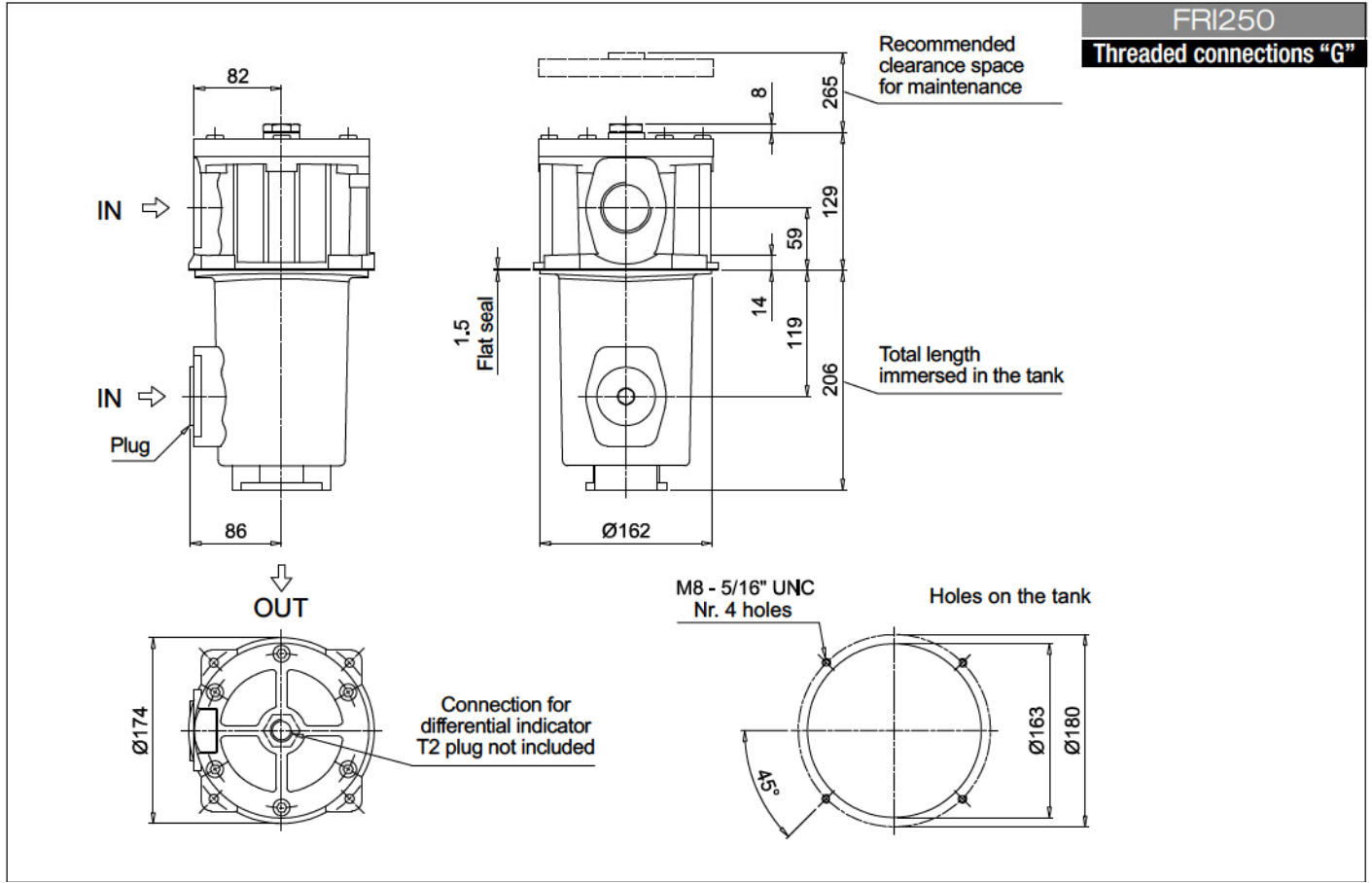
Element series and size	Configuration example 1: CU100 A25 N P01			
CU100	Configuration example 2: CU630 M25 W P01			
CU250				
CU630				
Filtration rating (filter media)				
A03 Inorganic microfiber 3 µm	M25 Wire mesh 25 µm			
A06 Inorganic microfiber 6 µm	M60 Wire mesh 60 µm			
A10 Inorganic microfiber 10 µm	M90 Wire mesh 90 µm			
A16 Inorganic microfiber 16 µm	P10 Resin impregnated paper 10 µm			
A25 Inorganic microfiber 25 µm	P25 Resin impregnated paper 25 µm			
Seals and treatments	Filtration rating			
N NBR	Axx	Mxx	Pxx	
V FPM	•	•	•	
W NBR	•	•		filter element compatible with fluids HFA-HFB-HFC
Z FPM	•	•		
				Execution
				P01 MP Filtri standard
				Pxx Customized

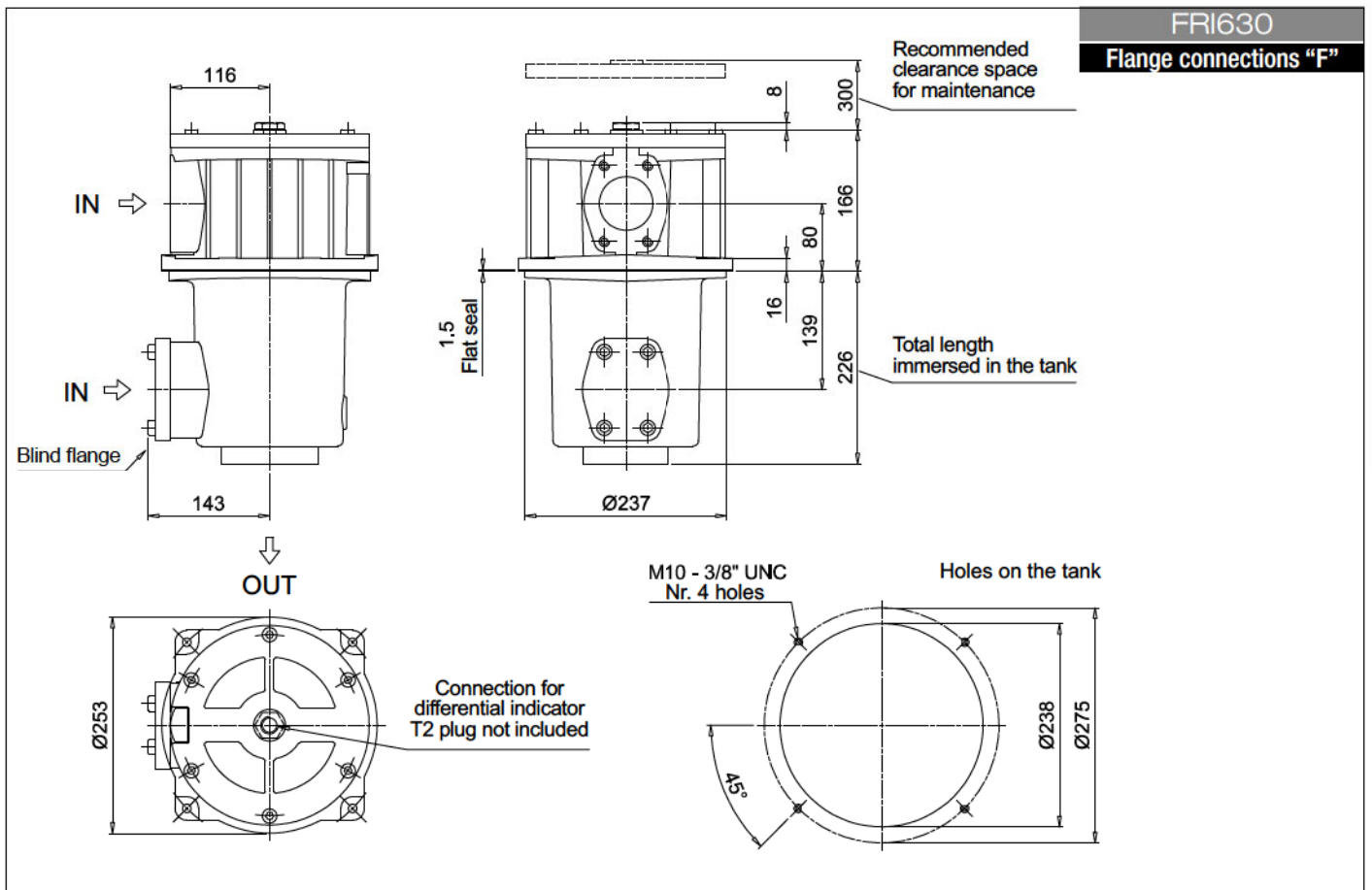
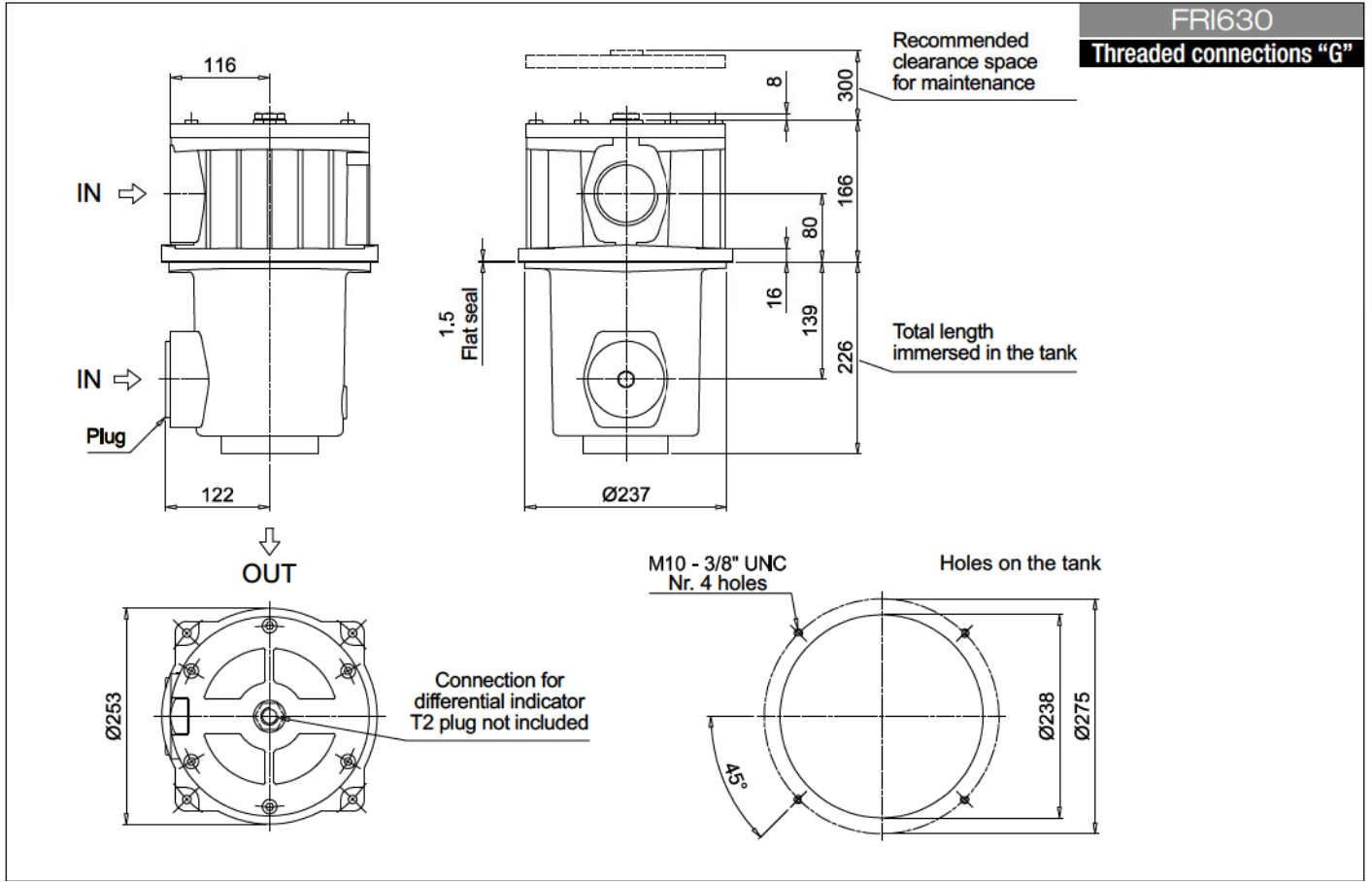
ACCESSORIES

Indicators	page		page
DEA Electrical differential indicator	242	DTA Electronic differential indicator	245
DEM Electrical differential indicator	242-243	DVA Visual differential indicator	245
DLA Electrical / visual differential indicator	243-244	DVM Visual differential indicator	245
DLE Electrical / visual differential indicator	244		
Additional features	page		
T2 Plug	246		



Dimensions

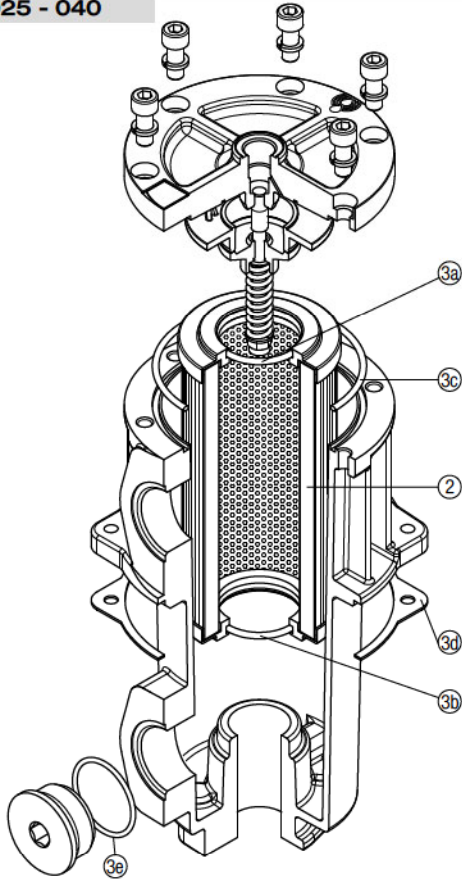




FRI SPARE PARTS

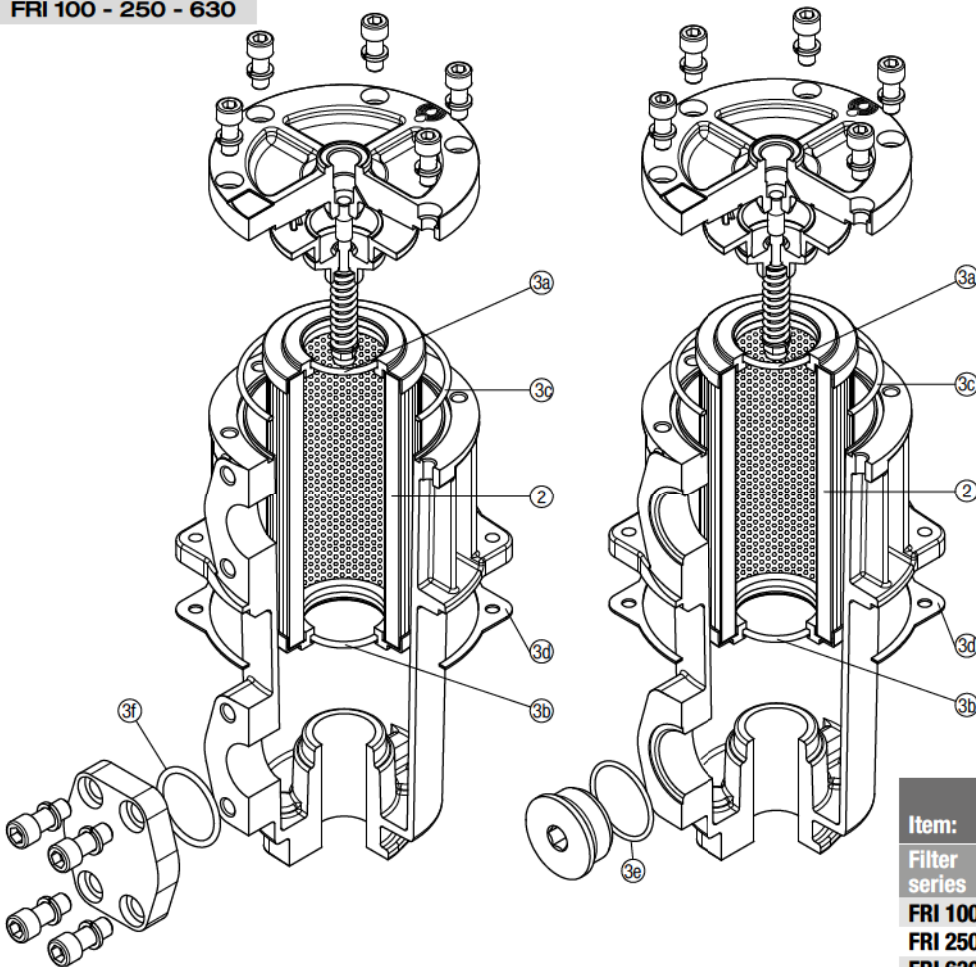
Order number for spare parts

FRI 025 - 040



Item:	Q.ty: 1 pc.	Q.ty: 1 pc.	
	2	3 (3a ÷ 3e)	
Filter series	Filter element	Seal Kit code number	
		NBR	FPM
FRI 025	See order table	02050213	02050220
FRI 040		02050214	02050221

FRI 100 - 250 - 630



Item:	Q.ty: 1 pc.	Q.ty: 1 pc.	
	2	3 (3a ÷ 3f)	
Filter series	Filter element	Seal Kit code number	
		NBR	FPM
FRI 100	See order table	02050215	02050222
FRI 250		02050216	02050223
FRI 630		02050217	02050224