

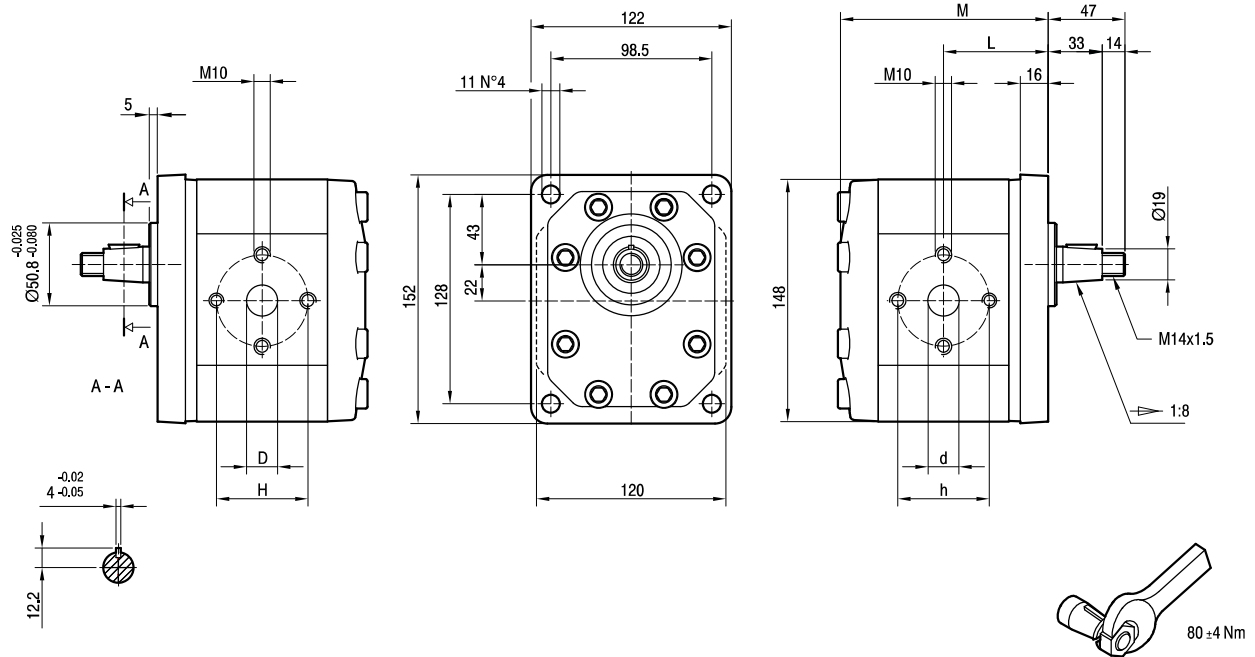
GHP3

Parti accessorie a corredo della pompa standard: linguetta a disco (codice 522058), dado M14x1.5 (codice 523017), rosetta elastica spaccata (codice 523006).
 Porte standard: filetti M10 profondità utile 19 mm.

Accessories supplied with the standard pump: woodruff key (code 522058), M14x1.5 exagonal nut (code 523017), washer (code 523006).
 Standard ports: M10 threads depth 19 mm.

MANDATA
OUTLET

ASPIRAZIONE
INLET



| TIPO TYPE | CILINDRATA DISPLACEMENT | PORTATA a 1500 giri/min FLOW at 1500 rev/min | PRESSIONI MASSIME MAX PRESSURE | | | VELOCITÀ MASSIMA MAX SPEED | DIMENSIONI DIMENSIONS | | | | | |
|--------------|--|---|-----------------------------------|----------------|----------------|-------------------------------|--------------------------|-----|----|----|----|----|
| | | | P ₁ | P ₂ | P ₃ | | L | M | d | D | h | H |
| | cm ³ /giro [cm ³ /rev] | litri/min [litres/min] | bar | bar | bar | giri/min [rpm] | mm | mm | mm | mm | mm | mm |
| GHP3-D-30 | 20 | 29 | 280 | 295 | 310 | 3500 | 64 | 127 | 27 | 19 | 56 | 56 |
| GHP3-D-33 | 22 | 31 | 280 | 295 | 310 | 3500 | 64,5 | 128 | 27 | 19 | 56 | 56 |
| GHP3-D-40 | 26 | 37 | 280 | 295 | 310 | 3000 | 66 | 131 | 27 | 19 | 56 | 56 |
| GHP3-D-50 | 33 | 48 | 270 | 285 | 300 | 3000 | 68,5 | 136 | 27 | 19 | 56 | 56 |
| GHP3-D-60 | 39 | 56 | 260 | 275 | 290 | 3000 | 70,5 | 140 | 27 | 19 | 56 | 56 |
| GHP3-D-66 | 44 | 62 | 250 | 265 | 280 | 2800 | 72 | 143 | 27 | 27 | 51 | 51 |
| GHP3-D-80 | 52 | 74 | 230 | 245 | 260 | 2400 | 75 | 149 | 27 | 27 | 56 | 56 |
| GHP3-D-94 | 61 | 87 | 210 | 225 | 240 | 2800 | 78 | 155 | 33 | 27 | 62 | 51 |
| GHP3-D-110 | 71 | 101 | 200 | 215 | 230 | 2500 | 81,5 | 162 | 33 | 27 | 62 | 51 |
| GHP3-D-120 | 78 | 112 | 180 | 195 | 210 | 2300 | 84 | 167 | 33 | 27 | 62 | 51 |
| GHP3-D-135 | 87 | 124 | 160 | 175 | 190 | 2000 | 87 | 173 | 33 | 27 | 62 | 51 |